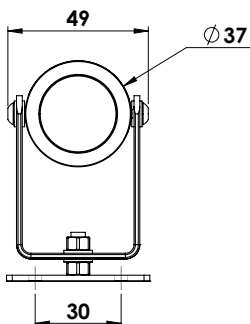
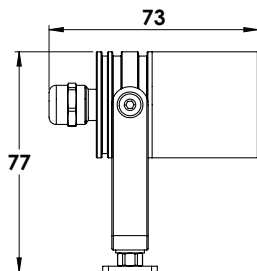


Specification Sheet 45008000

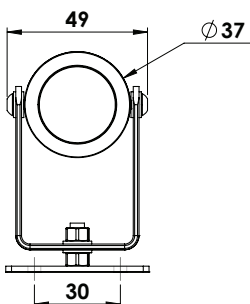
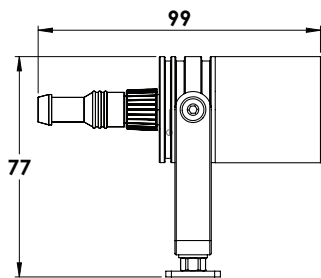
Issue Date: October 2015

Mk3

Fixed Cable Option With M12 Cable Gland



Removeable Option With M16 IP68 Connector + Moulded Cable



LEDStar1 Spotlight

Exterior/Interior LED Spotlight

IP67 Class 3    

TECHNICAL DETAILS

- Light Source:** 1x CREE XP-G2 LED (2 SDCM Binning)
- Supply Current:** 1050mA Max
- Housing:** Anodised Aluminium
- Finish:** Anodised or PTFE Coating
- Supplied Cable:** 3m 2-Core 0.75mm A05RN-F Rubber
- Cover Lens:** 6mm Toughened Glass
- Max Ambient Temperature:** 40°C
- LED Lifetime:** 50,000Hrs L70 (LM-80)
- Weight:** 0.15kg

SPECIFICATION EXAMPLE:

45008000-927-10-2

LEDStar1 MK3 Spotlight, Fixed 3m Cable, High CRI, Incandescent White 2700K, 10° Beam Angle, PTFE Black RAL 9011 Finish

PRODUCT CODE EXAMPLE: 4500800 0 - 927 - 10 - 2

CABLE TYPE	Fixed Cable	IP68 Connector + Moulded Cable	IP68 Connector + Field Wireable Socket
Code	0	1	2

LED SOURCE LUMENS MEASURED WITH Tj=85°C

COLOUR	CCT (K)	CRI	Lumen Output 350mA (lm)	Lumen Output 700mA (lm)	Lumen Output 1050mA (lm)	Code
Incandescent White	2700K	90+	90	166	220	927
Warm White	3000K	90+	90	166	220	930
Cool White	4000K	80+	144	245	327	840

BEAM	10° Narrow	30° Medium	80° Indicator	20° Tilt
Code	10	30	80	20T

FINISH	PTFE White RAL 9010	PTFE Black RAL 9011	Special RAL/BS	Black Anodised	Hard Anodised	Bronze Anodised	Silver Anodised
Code	1	2	3	2A	5	5C	9

SPOTLIGHT LED POWER

POWER (W)	350mA	700mA	1050mA
Power	1W	2.1W	3.3W
Forward Voltage	2.9V	3.0V	3.1V

TYPICAL SPOTLIGHT LED EFFICIENCY (lm/W)

	CRI	350mA	700mA	1050mA
90+	60	53	48	
80+	96	79	71	

PHOTOMETRIC DATA

EXAMPLE OUTPUT	350mA	700mA	1050mA
Output Lumens (lm)	135	180	240
Candela (cd)	4000	6900	9200

1 x CREE XP-G2 Cool White LED with 10° Optic
Photometric Data, IES & LDT files available online at www.lightprojects.co.uk

DRIVERS - Constant Current

- 42052-10
1-12W 350mA Non-Dimmable IP66
- 42060-00
1-12W 700mA Non-Dimmable IP66
- 42140-50
2.8-36W 700mA Phase Dimmable IP66, 12 Output
- 42143-50
10-36W 700mA 1-10V Dimmable IP66, 12 Output
- 42163-50
10-30W 700mA DALI Dimmable IP66, 12 Output

Alternative drivers to suit different power and drive currents available. See LEDStar Driver sheet for further products and loading details.

ACCESSORIES

- Half Tube Cowl 247-1627-f
- Full Tube Cowl 247-1628-f
- Tree Strap 247-1140-2
- Ground Spike 200mm 450024-4
- 10° Diffuser + Clip on Holder 247-1660-10
- 30° Diffuser + Clip on Holder 247-1660-30
- 80° Diffuser + Clip on Holder 247-1660-80
- 20°/20° Diffuser +Clip on Holder 247-1660-20T
- LED Cable Connector (IP67) 450041-0

Will accept limited range of Accessory Glasses.
Details available upon request.

f = Finish code to match housing material

FACTORY FITTED OPTIONS

- LED factory fitted extension cable 450043(m)
m = Cable Length

The performance of high power LEDs is continually developing. Light Projects offers the best performance LEDs available. Enquire for currently available lumen packages.

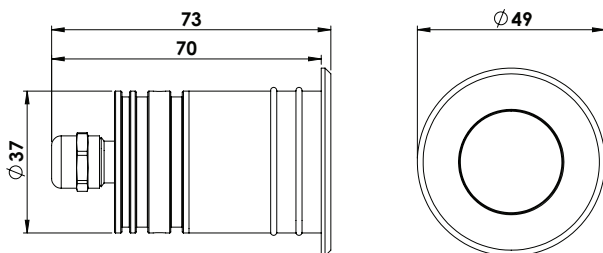
Light Projects is a division of the Light Projects Group of companies, London. **Product Improvements** In pursuance of the Light Projects Group policy of continuing product improvement, the products and product specifications included in this publication are liable to be modified without notice. **Trademarks** Unless otherwise indicated, the trademarks and tradenames in this publication are registered, or unregistered, industrial property rights of Light Projects Limited. **Patents** The fitting in this publication may be covered by Patents, Patent Applications and/or Design Registrations. Designed to conform to BS EN 60598. This specification sheet supersedes all previous. Please notify Light Projects Limited of any inaccuracies immediately. E&OE.

Specification Sheet 45008100

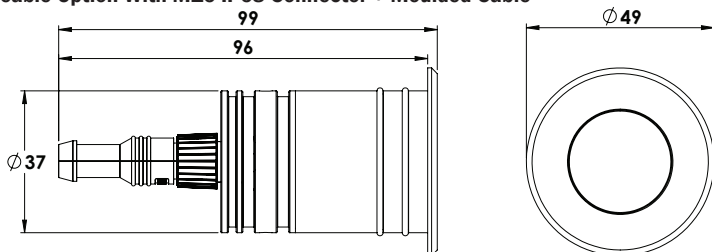
Issue Date: October 2015

Mk3

Fixed Cable Option With M12 Cable Gland



Removeable Option With M16 IP68 Connector + Moulded Cable



LEDStar1 Recessed

Exterior/Interior LED Recessed Light

IP67 Class 3    

TECHNICAL DETAILS

- Light Source:** 1x CREE XP-G2 LED (2 SDCM Binning)
- Supply Current:** 700mA Max
- Housing:** Anodised Aluminium
- Finish:** Anodised or PTFE Coating
- Supplied Cable:** 3m 2-Core 0.75mm A05RN-F Rubber
- Cover Lens:** 6mm Toughened Glass
- Max Ambient Temperature:** 40 °C
- LED Lifetime:** 50,000Hrs L70 (LM-80)
- Weight:** 0.14kg

SPECIFICATION EXAMPLE:

45008100-927-10-9

LEDStar1 MK3 Recessed, Fixed Cable, High CRI, Incandescent White 2700K, 10° Beam Angle, Silver Anodised Finish

PRODUCT CODE EXAMPLE: 4500810 0 - 927 - 10 - 9

CABLE TYPE	Fixed Cable	IP68 Connector + Moulded Cable	IP68 Connector + Field Wireable Socket
Code	0	1	2

LED SOURCE LUMENS MEASURED WITH Tj=85 °C

COLOUR	CCT (K)	CRI	Lumen Output 350mA (lm)	Lumen Output 700mA (lm)	Code
Incandescent White	2700K	90+	90	166	927
Warm White	3000K	90+	90	166	930
Cool White	4000K	80+	144	245	840

BEAM	10° Narrow	30° Medium	80° Indicator	20° Tilt
Code	10	30	80	20T

FINISH	PTFE White RAL 9010	PTFE Black RAL 9011	Special RAL/BS	Black Anodised	Hard Anodised	Bronze Anodised	Silver Anodised
Code	1	2	3	2A	5	5C	9

SPOTLIGHT LED POWER

POWER (W)	350mA	700mA
Power	1.0W	2.1W
Forward Voltage	2.9V	3.0V

TYPICAL SPOTLIGHT LED EFFICIENCY (lm/W)

	CRI	350mA	700mA
Power	90+	60	53
Forward Voltage	80+	96	79

PHOTOMETRIC DATA

EXAMPLE OUTPUT	350mA	700mA
Output Lumens (lm)	135	180
Candela (cd)	4000	6900

1 x CREE XP-G2 Cool White LED with 10° Optic
Photometric Data, IES & LDT files available online at www.lightprojects.co.uk

DRIVERS - Constant Current

- 42052-10
1-12W 350mA Non-Dimmable IP66
- 42060-00
1-12W 700mA Non-Dimmable IP66
- 42140-50
2.8-36W 700mA Phase Dimmable IP66, 12 Output
- 42143-50
10-36W 700mA 1-10V Dimmable IP66, 12 Output
- 42163-50
10-30W 700mA DALI Dimmable IP66, 12 Output

Alternative drivers to suit different power and drive currents available. See LEDStar Driver sheet for further products and loading details.

ACCESSORIES

- Eyelid Cowl 247-1696-f
- Mount tube 247-1629-5
- 10° Beam Angle Optic Diffuser Clip 247-1660-10
- 30° Beam Angle Optic Diffuser Clip 247-1660-30
- 80° Beam Angle Optic Diffuser Clip 247-1660-80
- 20°/20° Tilt Beam Angle Optic Diffuser Clip 247-1660-20T
- LED Cable Connector (IP67) 450041-0

Will accept limited range of Accessory Glasses.
Details available upon request.

f = Finish code to match housing material

FACTORY FITTED OPTIONS

- LED factory fitted extension cable 450043(m)

m = Cable Length 5/10/20m

The performance of high power LEDs is continually developing. Light Projects offers the best performance LEDs available. Enquire for currently available lumen packages.

Light Projects is a division of the Light Projects Group of companies, London. **Product Improvements** In pursuance of the Light Projects Group policy of continuing product improvement, the products and product specifications included in this publication are liable to be modified without notice. **Trademarks** Unless otherwise indicated, the trademarks and tradenames in this publication are registered, or unregistered, industrial property rights of Light Projects Limited. **Patents** The fitting in this publication may be covered by Patents, Patent Applications and/or Design Registrations. Designed to conform to BS EN 60598. This specification sheet supersedes all previous. Please notify Light Projects Limited of any inaccuracies immediately. E&OE.

Accessories Sheet 247-1600 Page 1

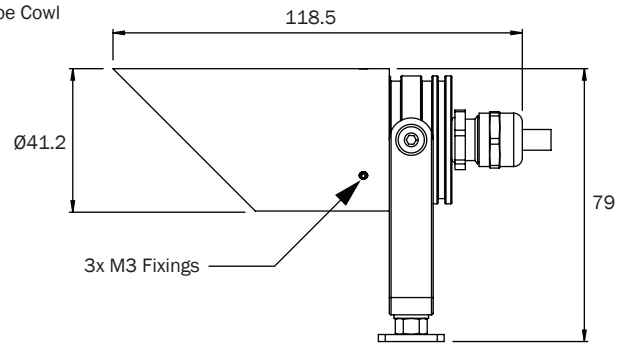
Issue Date: October 2015



Half Tube Cowl

Description: LEDStar1 Spotlight Half Tube Cowl
Part Number: 247-1627-f
 f = Finish (See finish table)
Material: Anodised Aluminium

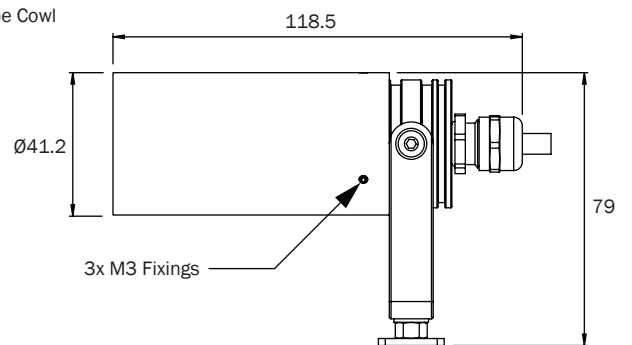
Supplied with fixing screws.



Full Tube Cowl

Description: LEDStar1 Spotlight Full Tube Cowl
Part Number: 247-1628-f
 f = Finish (See finish table)
Material: Anodised Aluminium

Supplied with fixing screws.

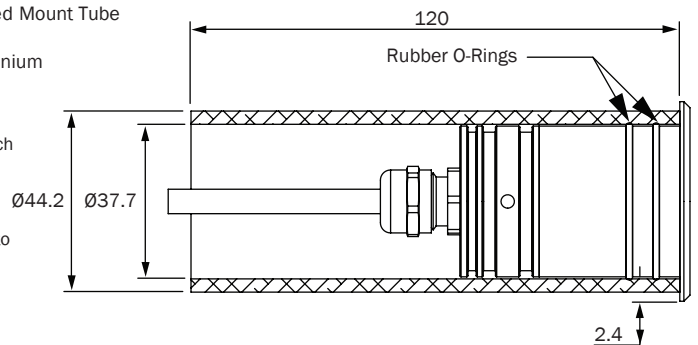


Mount Tube

Description: LEDStar1 Recessed Mount Tube
Part Number: 247-1629-5
Material: Hard Anodised Aluminium

Fittings supplied assembled with Rubber O-Rings on Front Cap which grip and hold fitting within the Mount Tube.

Recommended use for casting into concrete and in soft materials.

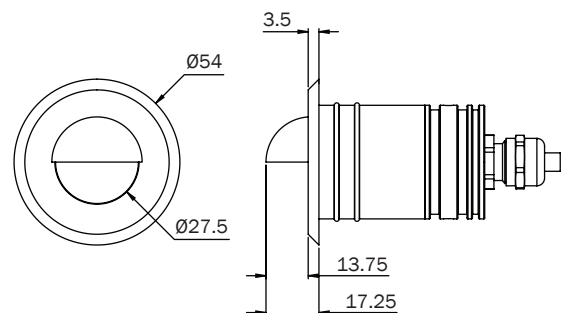


Eyelid Cowl

Description: LEDStar1 Recessed Eyelid Cowl
Part Number: 247-1696-f
 f = Finish (See finish table)
Material: Anodised Aluminium

Supplied separately from fitting.

Attaches to LEDStar1 with Adhesive Ring



FINISH	PTFE White RAL 9010	PTFE Black RAL 9011	RAL/BS	Black Anodised	Hard Anodised	Bronze Anodised	Satin Silver Anodised
Code	1	2	3	2A	5	5C	9

Light Projects is a division of the Light Projects Group of companies, London. **Product Improvements** In pursuance of the Light Projects Group policy of continuing product improvement, the products and product specifications included in this publication are liable to be modified without notice. **Trademarks** Unless otherwise indicated, the trademarks and tradenames in this publication are registered, or unregistered, industrial property rights of Light Projects Limited. **Patents** The fitting in this publication may be covered by Patents, Patent Applications and/or Design Registrations. Designed to conform to BS EN 60598. This specification sheet supersedes all previous. Please notify Light Projects Limited of any inaccuracies immediately. E&OE.

Accessories Sheet 247-1600 Page 2

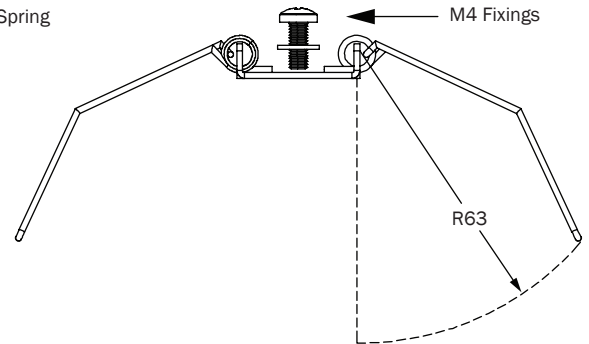
Issue Date: October 2015



Mounting Spring

Description: LEDStar1 Recessed Mounting Spring
Part Number: 247-1648-4
Material: Stainless Spring Steel

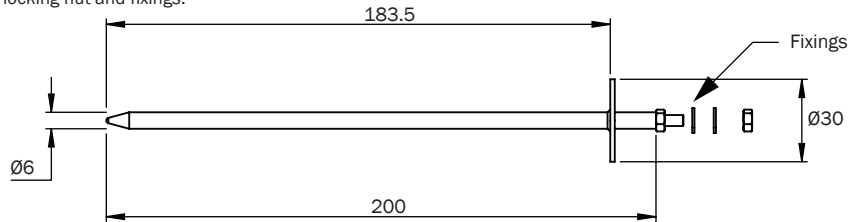
Supplied with fixing screw & washer.



Ground Spike

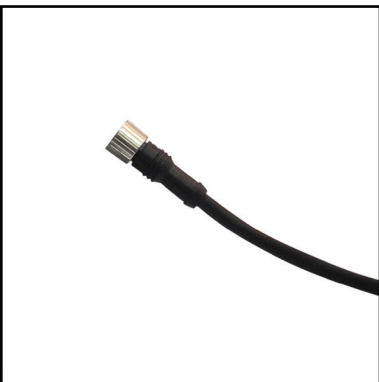
Description: LEDStar1 Spotlight Ground Spike (200mm)
Part Number: 450024-4
Material: Stainless Steel

Supplied with locking nut and fixings.



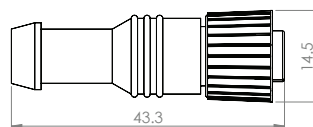
Cable Connector

Description: LEDStar1 Cable Connector IP67
Part Number: 450041-0
Connector Material: Black Nylon
Cable Capacity : $\varnothing 4.5 - 8\text{mm}$



Removable Cable Assembly 3m

Description: Removable cable assembly with M16 IP68 connector and 3m cable. Supplied with dust cap.
Part Number: 450044(3)
Connector Material: Black Nylon
Cable: Over moulded cable 2x0.75mm² A05RN-F



Custom Cable Length available on request

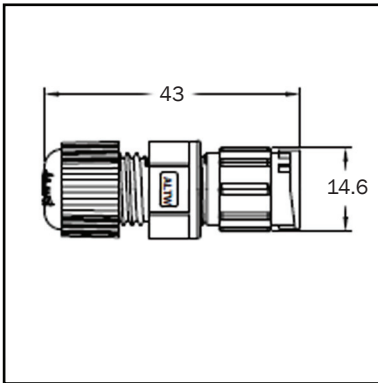


Dust Cap

Light Projects is a division of the Light Projects Group of companies, London. **Product Improvements** In pursuance of the Light Projects Group policy of continuing product improvement, the products and product specifications included in this publication are liable to be modified without notice. **Trademarks** Unless otherwise indicated, the trademarks and tradenames in this publication are registered, or unregistered, industrial property rights of Light Projects Limited. **Patents** The fitting in this publication may be covered by Patents, Patent Applications and/or Design Registrations. Designed to conform to BS EN 60598. This specification sheet supersedes all previous. Please notify Light Projects Limited of any inaccuracies immediately. E&OE.

Accessories Sheet 247-1600 Page 3

Issue Date: October 2015



Field Wireable IP68 Connector

Description: Field installable M16 IP68 connector, supplied with dust cap.

- To suit 2 core cable Ø4.5mm - Ø6.5mm.

- Solder pins for 0.75mm² Conductor.

Part Number: 450045-0



Dust Cap



Optic Diffuser Clip

Description: Clip with optic diffuser that can be easily interchanged to create various beam angles.

Comes in the following angles: 10°, 30°, 80° and 20° Tilt

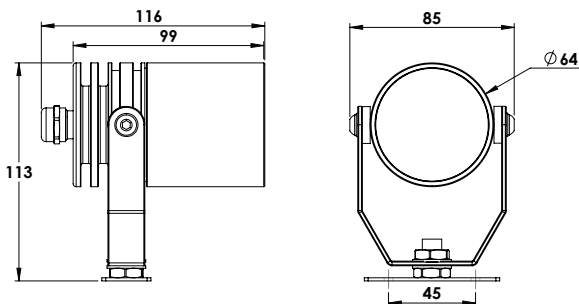
Part Number: 10° Diffuser + Clip-on Holder	247-1660-10
30° Diffuser + Clip-on Holder	247-1660-30
80° Diffuser + Clip-on Holder	247-1660-80
20°/20° Tilt Diffuser + Clip-on Holder	247-1660-20T

Specification Sheet 45033000

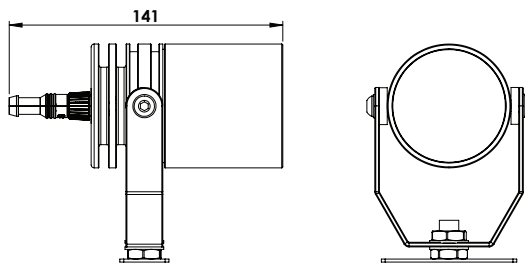
Issue Date: October 2015

Mk4

Fixed Cable Option With M16 Cable Gland



Removeable Option With M16 IP68 Connector + Moulded Cable



LEDStar3 Spotlight

Exterior/Interior LED Spotlight

IP67 Class 3    

TECHNICAL DETAILS

- Light Source:** 3x XP-G2 LED (2 SDCM Binning)
- Supply Current:** 1050mA Max
- Housing:** Anodised Aluminium
- Finish:** Anodised or PTFE Coating
- Supplied Cable:** 3m 2-Core 0.75mm A05RN-F Rubber
- Cover Lens:** 5mm Toughened Glass
- Max Ambient Temperature:** 40 °C
- LED Lifetime:** 50,000hrs L70 (LM-80)
- Weight:** 0.63kg

SPECIFICATION EXAMPLE:

45033000-927-30-2

LEDStar3 MK4 Spotlight, Fixed 3m Cable, High CRI, Incandescent White 2700K, 30° Beam Angle, PTFE Black RAL 9011 Finish

PRODUCT CODE EXAMPLE: 4503300 0 - 927 - 30 - 2

Cable Type	Fixed Cable	IP68 Connector + Moulded Cable	IP68 Connector + Field Wireable Socket
Code	0	1	2

LED SOURCE LUMENS MEASURED WITH Tj=85 °C

COLOUR	CCT (K)	CRI	Lumen Output 350mA (lm)	Lumen Output 700mA (lm)	Lumen Output 1050mA (lm)	Code
Incandescent White	2700K	90+	270	498	660	927
Warm White	3000K	90+	270	498	660	930
Cool White	4000K	80+	432	735	981	840

BEAM	10° Narrow	30° Medium	80° Indicator	20° Tilt
Code	10	30	80	20T

FINISH	PTFE White RAL 9010	PTFE Black RAL 9011	Special RAL/BS	Black Anodised	Hard Anodised	Bronze Anodised	Silver Anodised
Code	1	2	3	2A	5	5C	9

TYPICAL SPOTLIGHT LED POWER

POWER (W)	350mA	700mA	1050mA
Power	3W	6.3W	9.9W
Forward Voltage	8.7V	9V	9.3V

TYPICAL SPOTLIGHT LED EFFICIENCY (Lm/W)

	CRI	350mA	700mA	1050mA
90+	60	53	48	
80+	96	79	71	

PHOTOMETRIC DATA

EXAMPLE OUTPUT	350mA	700mA	1050mA
Output Lumens (lm)	320	540	720
Candela (cd)	670	1140	1520

3 x CREE XP-G2 Cool White LEDs with 30° Optic

Photometric Data, IES & LDT files available online at www.lightprojects.co.uk

DRIVERS - Constant Current

- **42052-10**
1-12W 350mA Non-Dimmable IP66
- **42060-00**
1-12W 700mA Non-Dimmable IP66
- **42140-30**
2.8-36W 700mA Phase Dimmable IP66, 4 Output
- **42143-30**
10-36W 700mA 1-10V Dimmable IP66, 4 Output
- **42163-30**
10-30W 700mA DALI Dimmable IP66, 4 Output

Alternative drivers to suit different power and drive currents available. See LEDStar Driver Sheet for further products and loading details.

ACCESSORIES

- Half Tube Cowl 450132-f
- Full Tube Cowl 450134-f
- Tree Strap 247-1140-2
- Ground Spike 200mm 247-0141-4
- 10° Diffuser + Clip 247-1760-10
- 30° Diffuser + Clip 247-1760-30
- 80° Diffuser 247-1761-80
- 20° Tilt Diffuser 247-1761-20T
- LED Cable Connector (IP67) 450041-0
- Honeycomb Louvre 247-1221-2
- Ribbed Spread Lens 247-1211
- 'C' Spring 247-1206
- Coloured Glass 247-1210-xxx

Will accept Ø 50mm Accessory Glasses. Further details available upon request.

FACTORY FITTED OPTIONS

- LED factory fitted extension cable 450043(m)

m = Cable Length 5/10/20m
f = Finish code to match housing material

The performance of high power LEDs is continually developing. Light Projects offers the best performance LEDs available. Enquire for currently available lumen packages.

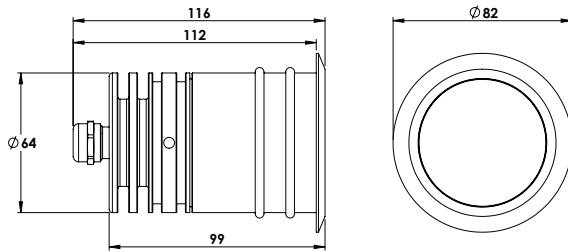
Light Projects is a division of the Light Projects Group of companies, London. **Product Improvements** In pursuance of the Light Projects Group policy of continuing product improvement, the products and product specifications included in this publication are liable to be modified without notice. **Trademarks** Unless otherwise indicated, the trademarks and tradenames in this publication are registered, or unregistered, industrial property rights of Light Projects Limited. **Patents** The fitting in this publication may be covered by Patents, Patent Applications and/or Design Registrations. Designed to conform to BS EN 60598. This specification sheet supersedes all previous. Please notify Light Projects Limited of any inaccuracies immediately. E&OE.

Specification Sheet 45033100

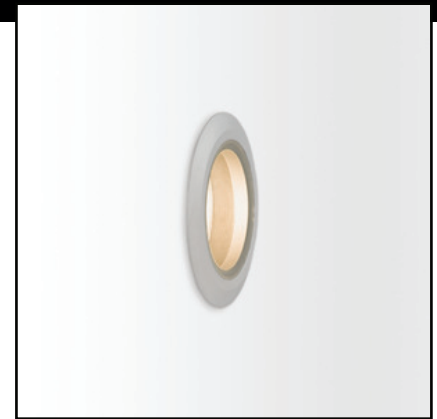
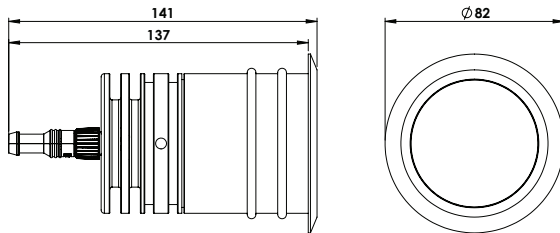
Issue Date: October 2015

Fixed Cable Option With M16 Cable Gland

Mk4



Removeable Option With M16 IP68 Connector + Moulded Cable



LEDStar3 Recessed

Exterior/Interior Recessed LED Spotlight

IP67 Class 3    

TECHNICAL DETAILS

- Light Source:** 3x XP-G2 LED (2 SDCM Binning)
- Supply Current:** 700mA Max
- Housing:** Anodised Aluminium
- Finish:** Anodised or PTFE Coating
- Supplied Cable:** 3m 2-Core 0.75mm A05RN-F Rubber
- Cover Lens:** 5mm Toughened Glass
- Max Ambient Temperature:** 40 °C
- LED Lifetime:** 50,000hrs L70 (LM-80)
- Weight:** 0.6kg

SPECIFICATION EXAMPLE:

45033100-927-30-9

LEDStar3 MK4 Recessed, Fixed 3m Cable, High CRI, Incandescent White 2700K, 30° Beam Angle, Silver Anodised Finish

PRODUCT CODE EXAMPLE: 4503310 0 - 927 - 30 - 9

Cable Type	Fixed Cable	IP68 Connector + Moulded Cable	IP68 Connector + Field Wireable Socket
Code	0	1	2

LED SOURCE LUMENS MEASURED WITH Tj=85 °C

COLOUR	CCT (K)	CRI	Lumen Output 350mA (lm)	Lumen Output 700mA (lm)	Code
Incandescent White	2700K	90+	270	498	927
Warm White	3000K	90+	270	498	930
Cool White	4000K	80+	432	735	840

BEAM	10° Narrow	30° Medium	80° Indicator	20° Tilt
Code	10	30	80	20T

FINISH	PTFE White RAL 9010	PTFE Black RAL 9011	Special RAL/BS	Black Anodised	Hard Anodised	Bronze Anodised	Silver Anodised
Code	1	2	3	2A	5	5C	9

TYPICAL SPOTLIGHT LED POWER

POWER (W)	350mA	700mA
Power	3W	6.3W
Forward Voltage	8.7V	9V

TYPICAL SPOTLIGHT LED EFFICIENCY (Lm/W)

CRI	350mA	700mA
90+	60	53
80+	96	79

PHOTOMETRIC DATA

EXAMPLE OUTPUT	350mA	700mA
Output Lumens (lm)	320	540
Candela (cd)	670	1140

3 x CREE XP-G2 Cool White LEDs with 30° Optic
Photometric Data, IES & LDT files available online at www.lightprojects.co.uk

DRIVERS - Constant Current

- **42052-10**
1-12W 350mA Non-Dimmable IP66
- **42060-00**
1-12W 700mA Non-Dimmable IP66
- **42140-30**
2.8-36W 700mA Phase Dimmable IP66, 4 Output
- **42143-30**
10-36W 700mA 1-10V Dimmable IP66, 4 Output
- **42163-30**
10-30W 700mA DALI Dimmable IP66, 4 Output

Alternative drivers to suit different power and drive currents available. See LEDStar Driver sheet for further products and loading details.

ACCESSORIES

- Half Tube Cowl 450132-f
- Full Tube Cowl 450134-f
- Tree Strap 247-1140-2
- Ground Spike 200mm 247-0141-4
- 10° Diffuser + Clip 247-1760-10
- 30° Diffuser + Clip 247-1760-30
- 80° Diffuser 247-1761-80
- 20° Tilt Diffuser 247-1761-20T
- LED Cable Connector (IP67) 450041-0
- Honeycomb Louvre 247-1221-2
- Ribbed Spread Lens 247-1211
- 'C' Spring 247-1206
- Coloured Glass 247-1210-xxx

Will accept Ø 50mm Accessory Glasses. Further details available upon request.

FACTORY FITTED OPTIONS

- LED factory fitted extension cable 450043(m)

m = Cable Length 5/10/20m
f = Finish code to match housing material

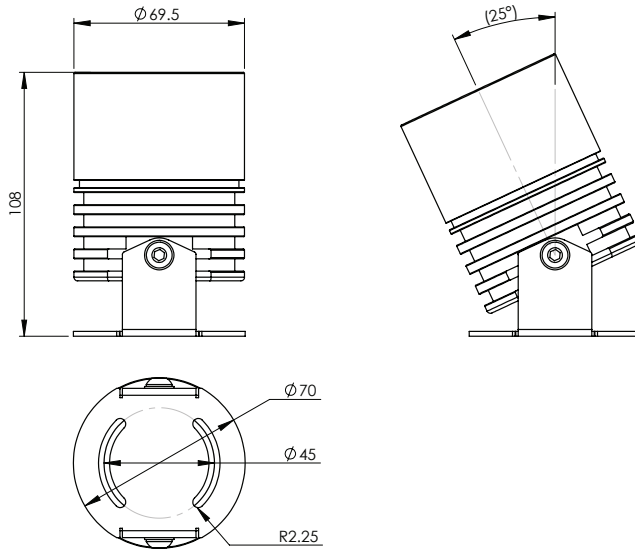
The performance of high power LEDs is continually developing. Light Projects offers the best performance LEDs available. Enquire for currently available lumen packages.

Light Projects is a division of the Light Projects Group of companies, London. Product Improvements In pursuance of the Light Projects Group policy of continuing product improvement, the products and product specifications included in this publication are liable to be modified without notice. Trademarks Unless otherwise indicated, the trademarks and tradenames in this publication are registered, or unregistered, industrial property rights of Light Projects Limited. Patents The fitting in this publication may be covered by Patents, Patent Applications and/or Design Registrations. Designed to conform to BS EN 60598. This specification sheet supersedes all previous. Please notify Light Projects Limited of any inaccuracies immediately. E&OE.

Specification Sheet 45033200

Issue Date: October 2015

Mk4



LEDStar3 Window Reveal

Exterior/Interior LED Recessed Light

IP67 Class 3    

TECHNICAL DETAILS

Light Source: 3x XP-G2 LED (2 SDCM Binning)
Supply Current: 1050mA Max
Housing: Anodised Aluminium
Finish: Anodised or PTFE Coating
Supplied Cable: 3m 2-Core 0.75mm A05RN-F Rubber
Cover Lens: 5mm Toughened Glass
Max Ambient Temperature: 40°C
LED Lifetime: 50,000hrs L70 (LM-80)
Weight: 0.63kg

SPECIFICATION EXAMPLE:

45033200-927-30-9

LEDStar3 MK4 Window Reveal, Fixed 3m Cable, High CRI, Incandescent White 2700K, 30° Beam Angle, Silver Anodised Finish

PRODUCT CODE EXAMPLE: 45033200 - 927 - 30 - 9

LED SOURCE LUMENS MEASURED WITH Tj=85°C

COLOUR	CCT (K)	CRI	Lumen Output 350mA (lm)	Lumen Output 700mA (lm)	Lumen Output 1050mA (lm)	Code
Incandescent White	2700K	90+	270	498	660	927
Warm White	3000K	90+	270	498	660	930
Cool White	4000K	80+	432	735	981	840

BEAM	10° Narrow	30° Medium	80° Indicator	20° Tilt
Code	10	30	80	20T

FINISH	PTFE White RAL 9010	PTFE Black RAL 9011	Special RAL/BS	Black Anodised	Hard Anodised	Bronze Anodised	Silver Anodised
Code	1	2	3	2A	5	5C	9

TYPICAL SPOTLIGHT LED POWER

POWER (W)	350mA	700mA	1050mA
Power	3W	6.3W	9.9W
Forward Voltage	8.7V	9V	9.3V

TYPICAL SPOTLIGHT LED EFFICIENCY (Lm/W)

CRI	350mA	700mA	1050mA
90+	60	53	48
80+	96	79	71

PHOTOMETRIC DATA

EXAMPLE OUTPUT	350mA	700mA	1050mA
Output Lumens (lm)	320	540	720
Candela (cd)	670	1140	1520

3 x CREE XP-G2 Cool White LEDs with 30° Optic

Photometric Data, IES & LDT files available online at www.lightprojects.co.uk

DRIVERS - Constant Current

- 42052-10
1-12W 350mA Non-Dimmable IP66
- 42060-00
1-12W 700mA Non-Dimmable IP66
- 42140-30
2.8-36W 700mA Phase Dimmable IP66, 4 Output
- 42143-30
10-36W 700mA 1-10V Dimmable IP66, 4 Output
- 42163-30
10-30W 700mA DALI Dimmable IP66, 4 Output

Alternative drivers to suit different power and drive currents available. See LEDStar Driver Sheet for further products and loading details.

ACCESSORIES

- Window Reveal Half Tube Cowl 450132-f
- 10° Diffuser + Clip 247-1760-10
- 30° Diffuser + Clip 247-1760-30
- 80° Diffuser 247-1761-80
- 20° Tilt Diffuser 247-1761-20T
- LED Cable Connector (IP67) 450041-0
- Honeycomb Louvre 247-0221-2
- Ribbed Spread Lens 247-0211
- 'C' Spring 247-0206
- Coloured Glass 247-0210-xxx

Will accept Ø 50mm Accessory Glasses. Further details available upon request.

FACTORY FITTED OPTIONS

- LED factory fitted extension cable 450043(m)

m = Cable Length 5/10/20m
 f = Finish code to match housing material

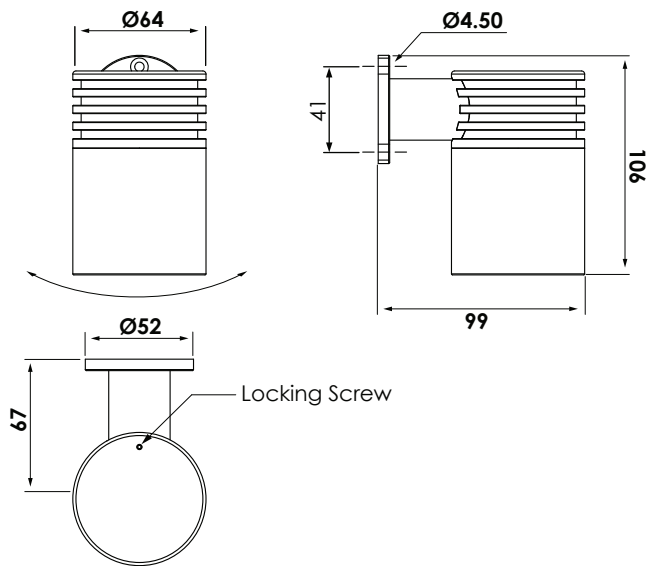
The performance of high power LEDs is continually developing. Light Projects offers the best performance LEDs available. Enquire for currently available lumen packages.

Light Projects is a division of the Light Projects Group of companies, London. Product Improvements In pursuance of the Light Projects Group policy of continuing product improvement, the products and product specifications included in this publication are liable to be modified without notice. Trademarks Unless otherwise indicated, the trademarks and tradenames in this publication are registered, or unregistered, industrial property rights of Light Projects Limited. Patents The fitting in this publication may be covered by Patents, Patent Applications and/or Design Registrations. Designed to conform to BS EN 60598. This specification sheet supersedes all previous. Please notify Light Projects Limited of any inaccuracies immediately. E&OE.

Specification Sheet 45033300

Issue Date: October 2015

Mk4



LEDStar3 Wall

Exterior/Interior LED Wall Light

IP67 Class 3    

TECHNICAL DETAILS

Light Source: 3x XP-G2 LED (2 SDCM Binning)
Supply Current: 1050mA Max
Housing: Anodised Aluminium
Finish: Anodised or PTFE Coating
Supplied Cable: 3m 2-Core 0.75mm A05RN-F Rubber
Cover Lens: 5mm Toughened Glass
Max Ambient Temperature: 40 °C
LED Lifetime: 50,000hrs L70 (LM-80)
Weight: 0.63kg

SPECIFICATION EXAMPLE:

45033300-927-30-9

LEDStar3 MK4 Wall, Fixed 3m Cable, High CRI, Incandescent White 2700K, 30° Beam Angle, Silver Anodised Finish

PRODUCT CODE EXAMPLE: 45033300 - 927 - 30 - 9

LED SOURCE LUMENS MEASURED WITH Tj=85 °C

COLOUR	CCT (K)	CRI	Lumen Output 350mA (lm)	Lumen Output 700mA (lm)	Lumen Output 1050mA (lm)	Code
Incandescent White	2700K	90+	270	498	660	927
Warm White	3000K	90+	270	498	660	930
Cool White	4000K	80+	432	735	981	840

BEAM	10° Narrow	30° Medium	80° Indicator	20° Tilt
Code	10	30	80	20T

FINISH	PTFE White RAL 9010	PTFE Black RAL 9011	Special RAL/BS	Black Anodised	Hard Anodised	Bronze Anodised	Silver Anodised
Code	1	2	3	2A	5	5C	9

TYPICAL SPOTLIGHT LED POWER

POWER (W)	350mA	700mA	1050mA
Power	3W	6.3W	9.9W
Forward Voltage	8.7V	9V	9.3V

TYPICAL SPOTLIGHT LED EFFICIENCY (Lm/W)

CRI	350mA	700mA	1050mA
90+	60	53	48
80+	96	79	71

PHOTOMETRIC DATA

EXAMPLE OUTPUT	350mA	700mA	1050mA
Output Lumens (lm)	320	540	720
Candela (cd)	670	1140	1520

3 x CREE XP-G2 Cool White LEDs with 30° Optic

Photometric Data, IES & LDT files available online at www.lightprojects.co.uk

DRIVERS - Constant Current

- **42052-10**
1-12W 350mA Non-Dimmable IP66
- **42060-00**
1-12W 700mA Non-Dimmable IP66
- **42140-30**
2.8-36W 700mA Phase Dimmable IP66, 4 Output
- **42143-30**
10-36W 700mA 1-10V Dimmable IP66, 4 Output
- **42163-30**
10-30W 700mA DALI Dimmable IP66, 4 Output

Alternative drivers to suit different power and drive currents available. See LEDStar Driver Sheet for further products and loading details.

ACCESSORIES

- Half Tube Cowl 450132-f
- Full Tube Cowl 450134-f
- 10° Diffuser + Clip 247-1760-10
- 30° Diffuser + Clip 247-1760-30
- 80° Diffuser 247-1761-80
- 20° Tilt Diffuser 247-1761-20T
- LED Cable Connector (IP67) 450041-0
- Honeycomb Louvre 247-1221-2
- Ribbed Spread Lens 247-1211
- 'C' Spring 247-1206
- Coloured Glass 247-1210-xxx

Will accept Ø 50mm Accessory Glasses. Further details available upon request.

FACTORY FITTED OPTIONS

- LED factory fitted extension cable 450043(m)

m = Cable Length 5/10/20m
 f = Finish code to match housing material

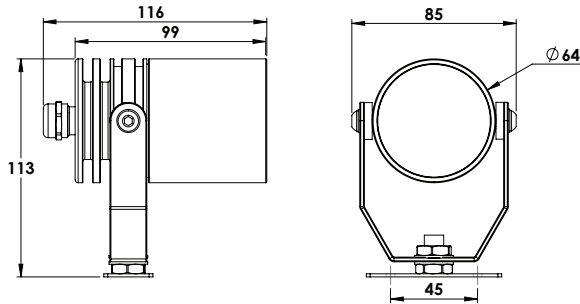
The performance of high power LEDs is continually developing. Light Projects offers the best performance LEDs available. Enquire for currently available lumen packages.

Light Projects is a division of the Light Projects Group of companies, London. **Product Improvements** In pursuance of the Light Projects Group policy of continuing product improvement, the products and product specifications included in this publication are liable to be modified without notice. **Trademarks** Unless otherwise indicated, the trademarks and tradenames in this publication are registered, or unregistered, industrial property rights of Light Projects Limited. **Patents** The fitting in this publication may be covered by Patents, Patent Applications and/or Design Registrations. Designed to conform to BS EN 60598. This specification sheet supersedes all previous. Please notify Light Projects Limited of any inaccuracies immediately. E&OE.

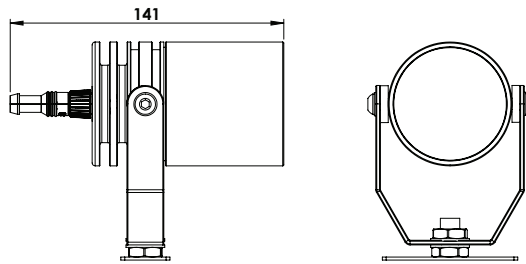
Specification Sheet 45034000

Issue Date: 26th September 2016

Fixed Cable Option With M16 Cable Gland



Removeable Option With M16 IP68 Connector + Moulded Cable



LEDStar4 Spotlight

Exterior/Interior LED Spotlight

IP67 Class 3    

TECHNICAL DETAILS

- Light Source:** CREE CXA1310 COB LED
- Supply Current:** 900mA Max
- Housing:** Anodised Aluminium
- Finish:** Anodised or PTFE Coating
- Supplied Cable:** 3m 2-Core 0.75mm A05RN-F Rubber
- Cover Lens:** 5mm Toughened Glass
- Max Ambient Temperature:** 40 °C
- LED Lifetime:** 50,000hrs L70 (LM-80)
- Weight:** 0.63kg

SPECIFICATION EXAMPLE:

45034000-927-12-2

LEDStar4 CREE COB Spotlight, Fixed 3m Cable, High CRI, Incandescent White 2700K, 12° Beam Angle, Black Finish

PRODUCT CODE EXAMPLE: 4503400 0 - 927 - 12 - 2

Cable Type	Fixed Cable	IP68 Connector + Moulded Cable	IP68 Connector + Field Wireable Socket
Code	0	1	2

LED SOURCE LUMENS

COLOUR	CCT (K)	CRI	Lumen Output 500mA (lm)	Lumen Output 700mA (lm)	Lumen Output 900mA (lm)	Code
Incandescent White	2700K	93+	610	810	970	927
Warm White	3000K	93+	650	870	1050	930
Cool White	4000K	80+	980	1240	1500	840

BEAM	12° Narrow	24° Medium	38° Wide
Code	12	24	38

Beams can be tilted 20° with optional tilt diffuser.

FINISH	PTFE White RAL 9016	PTFE Black RAL 9011	Special RAL/BS	Black Anodised	Hard Anodised	Bronze Anodised	Silver Anodised
Code	1	2	3	2A	5	5C	9

TYPICAL SPOTLIGHT LED POWER

POWER (W)	500mA	700mA	900mA
Power	9W	12.6W	16.2W
Forward Voltage	17.3V	17.8V	18.2V

PHOTOMETRIC DATA

EXAMPLE OUTPUT	500mA	700mA	900mA
Output Lumens (lm)	810	1030	1240
Candela (cd)	5000	6400	7700

CREE CXA 1310 Cool White COB with 30° Optic

TYPICAL SPOTLIGHT LED EFFICIENCY (lm/W)

LED Colour/CRI	500mA	700mA	900mA
2700K / 90+	58	54	49
3000K / 90+	62	58	53
4000K / 80+	93	82	76

DRIVERS

- **42174-500-30**
20W 500mA LED Driver 0-10V Dimmable IP66
2x LEDStar 4
- **42174-700-20**
20W 700mA LED Driver 0-10V Dimmable IP66
1x LEDStar 4
- **42174-900-20**
20W 900mA LED Driver 0-10V Dimmable IP66
1x LEDStar 4
- **42140-30**
36W 700mA LED Driver Phase Dim (Trailing) IP66
2x LEDStar 4
- **42143-30**
33W 700mA LED Driver 1-10V Dimmable IP66
2x LEDStar 4

See LEDStar Driver Sheet for full Driver offerings.

ACCESSORIES

- Half Tube Cowl 450132-f
- Full Tube Cowl 450134-f
- Tree Strap 247-0140-2
- Ground Spike 200mm 247-0141-4
- 12° Optic 247-1762-12
- 24° Optic 247-1762-24
- 38° Optic 247-1762-38
- 80° Diffuser 247-1761-80
- 20° x 20° Tilt Diffuser 247-1761-20T
- LED Cable Connector (IP67) 450041-0

Will accept Ø 50mm Accessory Glasses. Further details available upon request.

- Honeycomb Louvre 247-1221-2
- Ribbed Spread Lens 247-1211
- Coloured Glass 247-1210-xxx
- 'C' Spring 247-1206

FACTORY FITTED OPTIONS

- LED factory fitted extension cable 450043(m)

m = Cable Length 5/10/20m
f = Finish code to match housing material

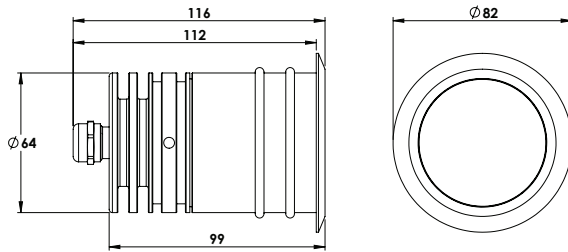
The performance of high power LEDs is continually developing. Light Projects offers the best performance LEDs available. Enquire for currently available lumen packages.

Light Projects is a division of the Light Projects Group of companies, London. **Product Improvements** In pursuance of the Light Projects Group policy of continuing product improvement, the products and product specifications included in this publication are liable to be modified without notice. **Trademarks** Unless otherwise indicated, the trademarks and tradenames in this publication are registered, or unregistered, industrial property rights of Light Projects Limited. **Patents** The fitting in this publication may be covered by Patents, Patent Applications and/or Design Registrations. Designed to conform to BS EN 60598. This specification sheet supersedes all previous. Please notify Light Projects Limited of any inaccuracies immediately. E&OE.

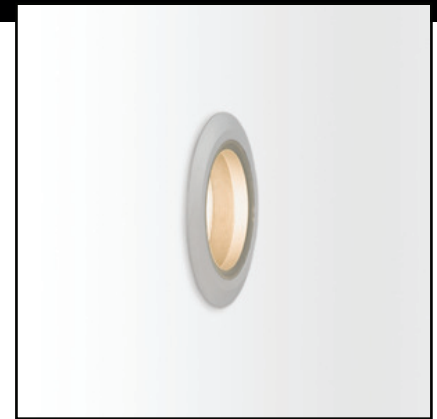
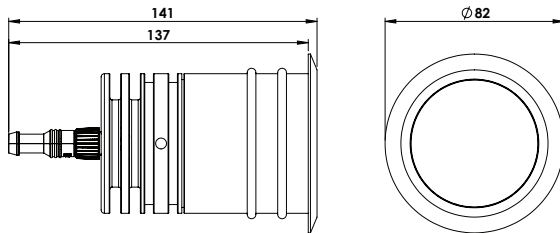
Specification Sheet 45034100

Issue Date: 26th September 2016

Fixed Cable Option With M16 Cable Gland



Removeable Option With M16 IP68 Connector + Moulded Cable



LEDStar4 Recessed Spotlight
Exterior/Interior LED Spotlight

IP67 Class 3    

TECHNICAL DETAILS

Light Source: CREE CXA1310 COB LED
Supply Current: 900mA Max
Housing: Anodised Aluminium
Finish: Anodised or PTFE Coating
Supplied Cable: 3m 2-Core 0.75mm A05RN-F Rubber
Cover Lens: 5mm Toughened Glass
Max Ambient Temperature: 40°C
LED Lifetime: 50,000hrs L70 (LM-80)
Weight: 0.63kg

DRIVERS

- 42174-500-30**
20W 500mA LED Driver 0-10V Dimmable IP66
2x LEDStar 4
- 42174-700-20**
20W 700mA LED Driver 0-10V Dimmable IP66
1x LEDStar 4
- 42174-900-20**
20W 900mA LED Driver 0-10V Dimmable IP66
1x LEDStar 4
- 42140-30**
36W 700mA LED Driver Phase Dim (Trailing) IP66
2x LEDStar 4
- 42143-30**
33W 700mA LED Driver 1-10V Dimmable IP66
2x LEDStar 4

See LEDStar Driver Sheet for full Driver offerings.

ACCESSORIES

- Mount Tube 450122-4
- 12° Optic 247-1762-12
- 24° Optic 247-1762-24
- 38° Optic 247-1762-38
- 80° Diffuser 247-1761-80
- 20° x 20° Tilt Diffuser 247-1761-20T
- LED Cable Connector (IP67) 450041-0

Will accept Ø 50mm Accessory Glasses. Further details available upon request.

- Honeycomb Louvre 247-1221-2
- Ribbed Spread Lens 247-1211
- Coloured Glass 247-1210-xxx
- 'C' Spring 247-1206

FACTORY FITTED OPTIONS

- LED factory fitted extension cable 450043(m)
m = Cable Length 5/10/20m

The performance of high power LEDs is continually developing. Light Projects offers the best performance LEDs available. Enquire for currently available lumen packages.

SPECIFICATION EXAMPLE:

45034100-927-12-2

LEDStar4 CREE COB Recessed, Fixed 3m Cable, High CRI, Incandescent White 2700K, 12° Beam Angle, Black Finish

PRODUCT CODE EXAMPLE: 4503410 **0 - 927 - 12 - 2**

Cable Type	Fixed Cable	IP68 Connector + Moulded Cable	IP68 Connector + Field Wireable Socket
Code	0	1	2

LED SOURCE LUMENS

COLOUR	CCT (K)	CRI	Lumen Output 500mA (lm)	Lumen Output 700mA (lm)	Lumen Output 900mA (lm)	Code
Incandescent White	2700K	93+	610	810	970	927
Warm White	3000K	93+	650	870	1050	930
Cool White	4000K	80+	980	1240	1500	840

BEAM	12° Narrow	24° Medium	38° Wide
Code	12	24	38

Beams can be tilted 20° with optional tilt diffuser.

FINISH	PTFE White RAL 9016	PTFE Black RAL 9011	Special RAL/BS	Black Anodised	Hard Anodised	Bronze Anodised	Silver Anodised
Code	1	2	3	2A	5	5C	9

TYPICAL SPOTLIGHT LED POWER

POWER (W)	500mA	700mA	900mA
Power	9W	12.6W	16.2W
Forward Voltage	17.3V	17.8V	18.2V

PHOTOMETRIC DATA

EXAMPLE OUTPUT	500mA	700mA	900mA
Output Lumens (lm)	810	1030	1240
Candela (cd)	5000	6400	7700

CREE CXA 1310 Cool White COB with 30° Optic

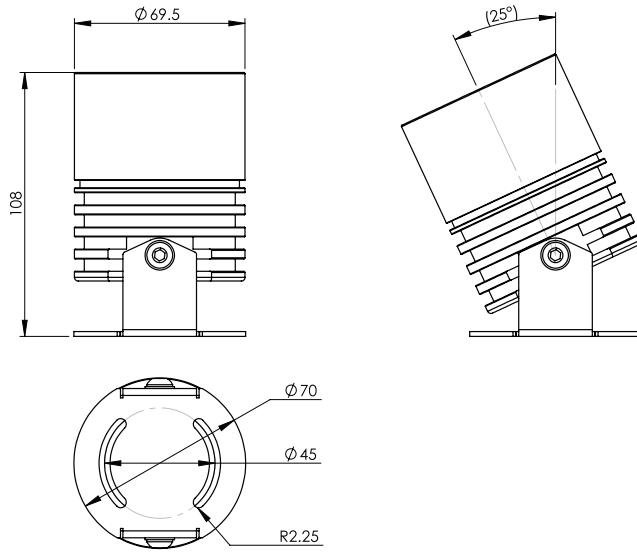
TYPICAL SPOTLIGHT LED EFFICIENCY (Lm/W)

LED Colour/CRI	500mA	700mA	900mA
2700K / 90+	58	54	49
3000K / 90+	62	58	53
4000K / 80+	93	82	76

Light Projects is a division of the Light Projects Group of companies, London. **Product Improvements** In pursuance of the Light Projects Group policy of continuing product improvement, the products and product specifications included in this publication are liable to be modified without notice. **Trademarks** Unless otherwise indicated, the trademarks and tradenames in this publication are registered, or unregistered, industrial property rights of Light Projects Limited. **Patents** The fitting in this publication may be covered by Patents, Patent Applications and/or Design Registrations. Designed to conform to BS EN 60598. This specification sheet supersedes all previous. Please notify Light Projects Limited of any inaccuracies immed

Specification Sheet 45034200

Issue Date: 11th October 2016



LEDStar4 Window Reveal

Exterior/Interior LED Window Reveal Light

IP67 Class 3    

TECHNICAL DETAILS

Light Source: CREE CXA1310 COB LED
Supply Current: 900mA Max
Housing: Anodised Aluminium
Finish: Anodised or PTFE Coating
Supplied Cable: 3m 2-Core 0.75mm A05RN-F Rubber
Cover Lens: 5mm Toughened Glass
Max Ambient Temperature: 40 °C
LED Lifetime: 50,000hrs L70 (LM-80)
Weight: 0.63kg

DRIVERS

- **42174-500-30**
20W 500mA LED Driver 0-10V Dimmable IP66
2x LEDStar 4
- **42174-700-20**
20W 700mA LED Driver 0-10V Dimmable IP66
1x LEDStar 4
- **42174-900-20**
20W 900mA LED Driver 0-10V Dimmable IP66
1x LEDStar 4
- **42140-30**
36W 700mA LED Driver Phase Dim (Trailing) IP66
2x LEDStar 4
- **42143-30**
33W 700mA LED Driver 1-10V Dimmable IP66
2x LEDStar 4

See LEDStar Driver Sheet for full Driver offerings.

ACCESSORIES

- Window Reveal Half Tube Cowl 247-0527-f
- Full Tube Cowl 450134-f
- 12° Optic 247-1762-12
- 24° Optic 247-1762-24
- 38° Optic 247-1762-38
- 80° Diffuser 247-1761-80
- 20°x20° Tilt Diffuser 247-1761-20T
- Will accept Ø 50mm Accessory Glasses. Further details available upon request.
- Honeycomb Louvre 247-1221-2
- Ribbed Spread Lens 247-1211
- Coloured Glass 247-1210-xxx
- 'C' Spring 247-1206

FACTORY FITTED OPTIONS

- LED factory fitted extension cable 450043(m)

m = Cable Length 5/10/20m

f = Finish code to match housing material

The performance of high power LEDs is continually developing. Light Projects offers the best performance LEDs available. Enquire for currently available lumen packages.

SPECIFICATION EXAMPLE:

45034200-927-12-2

LEDStar4 CREE COB Window Reveal Light, Fixed 3m Cable, High CRI, Incandescent White 2700K, 12° Beam Angle, Black Finish

PRODUCT CODE EXAMPLE: 45034200 - 927 - 12 - 2

LED SOURCE LUMENS

COLOUR	CCT (K)	CRI	Lumen Output 500mA (lm)	Lumen Output 700mA (lm)	Lumen Output 900mA (lm)	Code
Incandescent White	2700K	93+	610	810	970	927
Warm White	3000K	93+	650	870	1050	930
Cool White	4000K	80+	980	1240	1500	840

BEAM	12° Narrow	24° Medium	38° Wide
Code	12	24	38

Beams can be tilted 20° with optional tilt diffuser.

FINISH	PTFE White RAL 9016	PTFE Black RAL 9011	Special RAL/BS	Black Anodised	Hard Anodised	Bronze Anodised	Silver Anodised
Code	1	2	3	2A	5	5C	9

TYPICAL SPOTLIGHT LED POWER

POWER (W)	500mA	700mA	900mA
Power	9W	12.6W	16.2W
Forward Voltage	17.3V	17.8V	18.2V

PHOTOMETRIC DATA

EXAMPLE OUTPUT	500mA	700mA	900mA
Output Lumens (lm)	810	1030	1240
Candela (cd)	5000	6400	7700

CREE CXA 1310 Cool White COB with 30° Optic

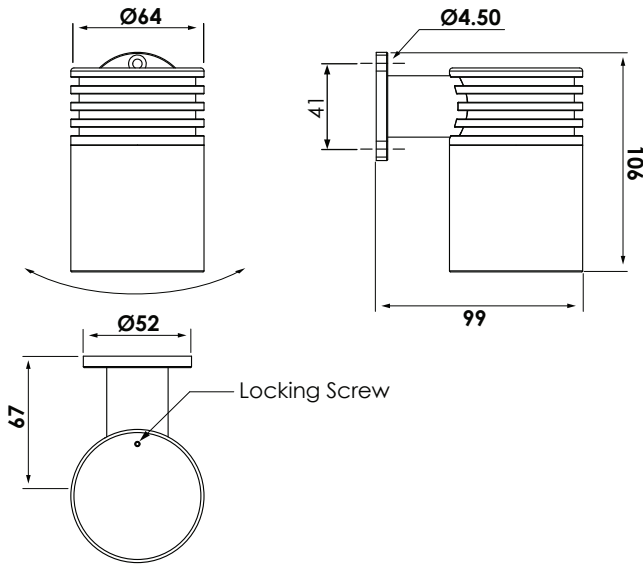
TYPICAL SPOTLIGHT LED EFFICIENCY (Lm/W)

LED Colour/CRI	500mA	700mA	900mA
2700K / 90+	58	54	49
3000K / 90+	62	58	53
4000K / 80+	93	82	76

Light Projects is a division of the Light Projects Group of companies, London. **Product Improvements** In pursuance of the Light Projects Group policy of continuing product improvement, the products and product specifications included in this publication are liable to be modified without notice. **Trademarks** Unless otherwise indicated, the trademarks and tradenames in this publication are registered, or unregistered, industrial property rights of Light Projects Limited. **Patents** The fitting in this publication may be covered by Patents, Patent Applications and/or Design Registrations. Designed to conform to BS EN 60598. This specification sheet supersedes all previous. Please notify Light Projects Limited of any inaccuracies immediately. E&OE.

Specification Sheet 45034300

Issue Date: 11th October 2016



LEDStar4 Wall

Exterior/Interior LED Wall Light

IP67 Class 3    

TECHNICAL DETAILS

Light Source: CREE CXA1310 COB LED
Supply Current: 900mA Max
Housing: Anodised Aluminium
Finish: Anodised or PTFE Coating
Supplied Cable: 3m 2-Core 0.75mm A05RN-F Rubber
Cover Lens: 5mm Toughened Glass
Max Ambient Temperature: 40 °C
LED Lifetime: 50,000hrs L70 (LM-80)
Weight: 0.63kg

DRIVERS

- **42174-500-30**
20W 500mA LED Driver 0-10V Dimmable IP66
2x LEDStar 4
 - **42174-700-20**
20W 700mA LED Driver 0-10V Dimmable IP66
1x LEDStar 4
 - **42174-900-20**
20W 900mA LED Driver 0-10V Dimmable IP66
1x LEDStar 4
 - **42140-30**
36W 700mA LED Driver Phase Dim (Trailing) IP66
2x LEDStar 4
 - **42143-30**
33W 700mA LED Driver 1-10V Dimmable IP66
2x LEDStar 4
- See LEDStar Driver Sheet for full Driver offerings.

ACCESSORIES

- Half Tube Cowl 450132-f
- Full Tube Cowl 450134-f
- Ground Spike 200mm 247-0141-4
- 12° Optic 247-1762-12
- 24° Optic 247-1762-24
- 38° Optic 247-1762-38
- 80° Diffuser 247-1761-80
- 20° x 20° Tilt Diffuser 247-1761-20T

Will accept Ø 50mm Accessory Glasses. Further details available upon request.

- Honeycomb Louvre 247-1221-2
- Ribbed Spread Lens 247-1211
- Coloured Glass 247-1210-xxx
- 'C' Spring 247-1206

FACTORY FITTED OPTIONS

- LED factory fitted extension cable 450043(m)
- m = Cable Length 5/10/20m
 f = Finish code to match housing material

The performance of high power LEDs is continually developing. Light Projects offers the best performance LEDs available. Enquire for currently available lumen packages.

SPECIFICATION EXAMPLE:

45034300-927-12-2

LEDStar4 CREE COB Wall Light, Fixed 3m Cable, High CRI, Incandescent White 2700K, 12° Beam Angle, Black Finish

PRODUCT CODE EXAMPLE: 45034300 - 927 - 12 - 2

LED SOURCE LUMENS

COLOUR	CCT (K)	CRI	Lumen Output 500mA (lm)	Lumen Output 700mA (lm)	Lumen Output 900mA (lm)	Code
Incandescent White	2700K	93+	610	810	970	927
Warm White	3000K	93+	650	870	1050	930
Cool White	4000K	80+	980	1240	1500	840

BEAM	12° Narrow	24° Medium	38° Wide
Code	12	24	38

Beams can be tilted 20° with optional tilt diffuser.

FINISH	PTFE White RAL 9016	PTFE Black RAL 9011	Special RAL/BS	Black Anodised	Hard Anodised	Bronze Anodised	Silver Anodised
Code	1	2	3	2A	5	5C	9

TYPICAL SPOTLIGHT LED POWER

POWER (W)	500mA	700mA	900mA
Power	9W	12.6W	16.2W
Forward Voltage	17.3V	17.8V	18.2V

PHOTOMETRIC DATA

EXAMPLE OUTPUT	500mA	700mA	900mA
Output Lumens (lm)	810	1030	1240
Candela (cd)	5000	6400	7700

CREE CXA 1310 Cool White COB with 30° Optic

TYPICAL SPOTLIGHT LED EFFICIENCY (Lm/W)

LED Colour/CRI	500mA	700mA	900mA
2700K / 90+	58	54	49
3000K / 90+	62	58	53
4000K / 80+	93	82	76

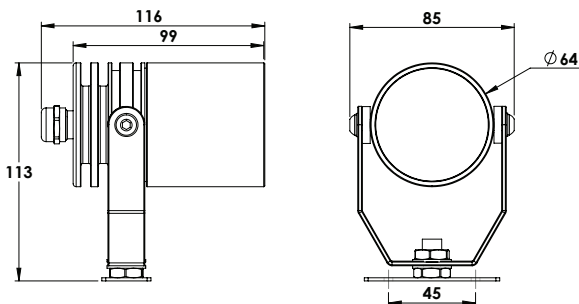
Light Projects is a division of the Light Projects Group of companies, London. **Product Improvements** In pursuance of the Light Projects Group policy of continuing product improvement, the products and product specifications included in this publication are liable to be modified without notice. **Trademarks** Unless otherwise indicated, the trademarks and tradenames in this publication are registered, or unregistered, industrial property rights of Light Projects Limited. **Patents** The fitting in this publication may be covered by Patents, Patent Applications and/or Design Registrations. Designed to conform to BS EN 60598. This specification sheet supersedes all previous. Please notify Light Projects Limited of any inaccuracies immediately. E&OE.

Specification Sheet 45035000

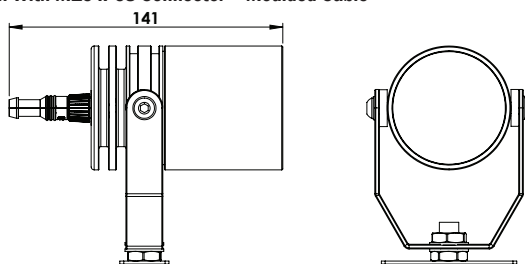
Issue Date: 7th Nov 2016

In Association With
SORAA

Fixed Cable Option With M16 Cable Gland



Removeable Option With M16 IP68 Connector + Moulded Cable



LEDStar5 Spotlight

Exterior/Interior LED Spotlight

IP67 Class 3    

TECHNICAL DETAILS

Light Source: Soraa Light Engine SLE16-06/SLE16-08
Supply Current: SLE16-06: 0.3A SLE16-08: 0.5A
Housing: Anodised Aluminium
Finish: Anodised or PTFE Coating
Supplied Cable: 3m 2-Core 0.75mm A05RN-F Rubber
Cover Lens: 5mm Toughened Glass
Max Ambient Temperature: 40 °C
LED Lifetime: 50,000hrs L70 (LM-80)
Weight: 0.63kg

DRIVER

- **42174-300-20**
1-20W 300mA 1-10V dimmable LED Driver in IP65 Box
MAX: 1x LEDStar5 SLE-06 1x LEDStar5 SLE-08
- **42174-500-20**
1-20W 500mA 1-10V dimmable LED Driver in IP65 Box
MAX: 1x LEDStar5 SLE-08

See LEDStar Driver Sheet for full Driver offerings.

ACCESSORIES

- Half Tube Cowl 450132-f
- Full Tube Cowl 450134-f
- Tree Strap 247-0140-2
- Ground Spike 200mm 247-0141-4
- 20° Tilt Diffuser 247-1761-20T
- LED Cable Connector (IP67) 450041-0
- Honeycomb Louvre 247-1221-2
- Coloured Glass 247-1210-xxx
- 'C' Spring 247-1206
- Soraa Snap-on 60° Beam Spreader 206-122
- Soraa Snap-on 10°x 36° Linear Spreader 206-124
- Soraa Snap-on Square Spreader 25° x 25° 206-125
- Soraa Snap-on CCT Shifter 1/4 CTO 206-127
- Soraa Snap-on Louvre 206-130

Other Soraa Snap-on accessories available. Please see accessories specification sheets for full listings.

FACTORY FITTED OPTIONS

- LED factory fitted extension cable 450043(m)

m = Cable Length 5/10/20m
f = Finish code to match housing material

The performance of high power LEDs is continually developing. Light Projects offers the best performance LEDs available. Enquire for currently available lumen packages.

SPECIFICATION EXAMPLE:

45035000-927-10-2

LEDStar5 Soraa Light Engine Spotlight, Fixed 3m Cable, High CRI, Incandescent White 2700K, 10° Beam Angle, Black Finish

PRODUCT CODE EXAMPLE: 450350 00 - 927 - 10 - 2

Cable Type	Fixed Cable	IP68 Connector + Moulded Cable	IP68 Connector + Field Wireable Socket	Light Engine Module				
Code	0	1	2	SLE16-06*	SLE16-08			
				0	1			
CRI	MODULE COLOUR	MAX DRIVER CURRENT	Code	LUMEN OUTPUT				
				475lm	791lm			
95+	2700K	300mA	927	475lm	791lm			
		500mA						
	3000K	300mA	930	500lm				
		500mA			830lm			
4000K	300mA	940	525lm					
	500mA			872lm				
80+	2700K	300mA	827	570lm				
		500mA			950lm			
	3000K	300mA	830	605lm				
		500mA			1007lm			
				BEAM	10°*	15°*	25°	36°
				Code	10	15	25	36

Beams can be tilted 20° with optional tilt diffuser.
10° and 15° Beams can be shaped with snap on accessories

FINISH	PTFE White RAL 9016	PTFE Black RAL 9011	Special RAL/BS	Black Anodised	Hard Anodised	Bronze Anodised	Silver Anodised
Code	1	2	3	2A	5	5C	9

TYPICAL SPOTLIGHT LED POWER

Light Engine Module	SLE16-06	SLE16-08
Power	8.3W	13.9W
Forward Voltage	27.7V	27.7V

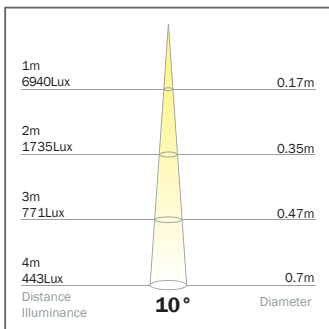
*10° and 15° beam angles has Soraa snap-on accessory functionality

Light Projects is a division of the Light Projects Group of companies, London. **Product Improvements** In pursuance of the Light Projects Group policy of continuing product improvement, the products and product specifications included in this publication are liable to be modified without notice. **Trademarks** Unless otherwise indicated, the trademarks and tradenames in this publication are registered, or unregistered, industrial property rights of Light Projects Limited. **Patents** The fitting in this publication may be covered by Patents, Patent Applications and/or Design Registrations. Designed to conform to BS EN 60598. This specification sheet supersedes all previous. Please notify Light Projects Limited of any inaccuracies immediately. E&OE.

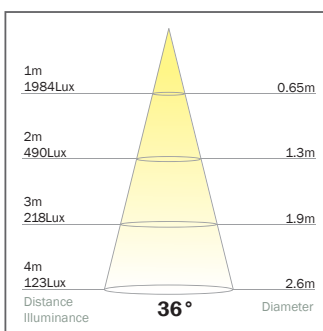
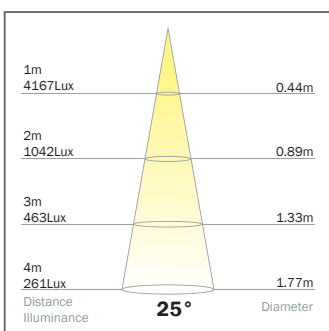
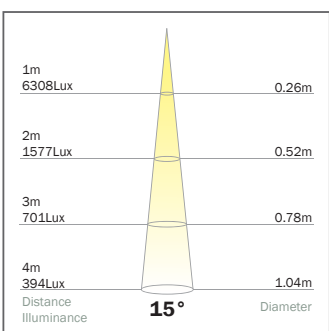
Specification Sheet 45035000

Issue Date: 7th Nov 2016

SORAA SLE16-06 LIGHT ENGINE BEAM DIAGRAMS



SORAA SLE16-08 LIGHT ENGINE BEAM DIAGRAMS



Data for beam diagrams are based on 95+CRI 2700K

SORAA TM30 COLOUR ACCURACY

Colour	95+ CRI	80+ CRI
2700K	 Rf: 90, Rg: 100, Rfh1: 95	 Rf: 85, Rg: 92, Rfh1: 77
3000K	 Rf: 90, Rg: 100, Rfh1: 95	 Rf: 85, Rg: 92, Rfh1: 77
4000K	 Rf: 90, Rg: 100, Rfh1: 95	

Rf: TM-30 metric measuring color fidelity (whether colors are similar to those under natural light). Rf is a more accurate version of the CRI Ra. Rf is 100 for natural light.
Rg: TM-30 metric measuring color gamut (whether colors are more saturated than under natural light). Rg is 100 for natural light.
Rfh1: TM-30 metric measuring color fidelity for red tones. Rfh1 is a more accurate version of the CRI R9. Rfh1 is 100 for natural light.
Rw: Soraa-developed metric to measure white fidelity. Rw measures the magnitude of excitation of whitening agents within whites. Rw is about 100 for natural light.

Light Projects is a division of the Light Projects Group of companies, London. **Product Improvements** In pursuance of the Light Projects Group policy of continuing product improvement, the products and product specifications included in this publication are liable to be modified without notice. **Trademarks** Unless otherwise indicated, the trademarks and tradenames in this publication are registered, or unregistered, industrial property rights of Light Projects Limited. **Patents** Designed to conform to BS EN 60598. This specification sheet supersedes all previous. Please notify Light Projects Limited of any inaccuracies immed

SORAA SNAP SYSTEM

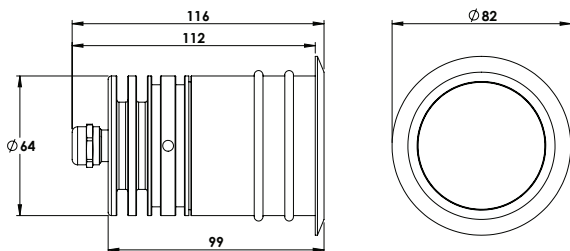
- 25° Beam Spreader Snap 206-120
- 36° Beam Spreader Snap 206-121
- 60° Beam Spreader Snap 206-122
- 10° x 25° Linear Spreader Snap 206-123
- 10° x 36° Linear Spreader Snap 206-124
- 25° x 25° Linear Spreader Snap 206-125
- 36° x 36° Linear Spreader Snap 206-126
- CCT Shifter Snap - 1/4 CTO 206-127
- CCT Shifter Snap - 1/2 CTO 206-128
- CCT Shifter Snap - 3/4 CTO 206-129
- Honeycomb Louvre Snap 206-130
- Aimable Snap 206-151
- Clear Snap 206-152

Original CCT	Snap System - CCT Shift Values		
	1/4 CTO	1/2 CTO	3/4 CTO
2700K	2450K	2200K	2000K
3000K	2700K	2400K	2200K
4000K	3500K	3000K	2700K
5000K	4250K	3550K	3125K

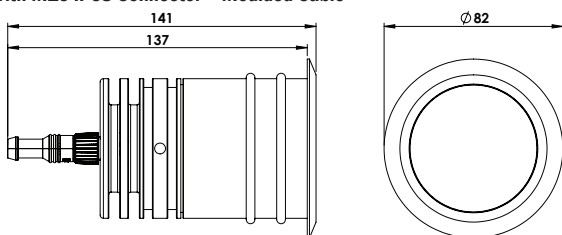
Specification Sheet 45035100

Issue Date: 24th May 2016

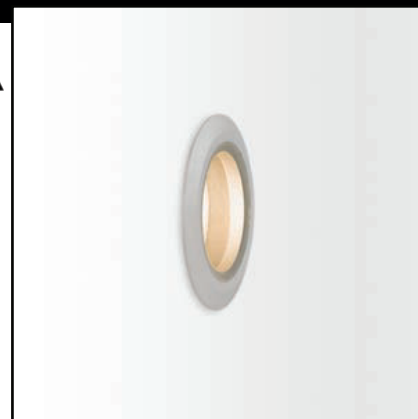
Fixed Cable Option With M16 Cable Gland



Removeable Option With M16 IP68 Connector + Moulded Cable



In Association With
SORAA



LEDStar5 Recessed

Exterior/Interior LED Spotlight

IP67 Class 3    

TECHNICAL DETAILS

Light Source: Soraa Light Engine SLE-06/SLE-08

Supply Current: SLE-06: 0.3A SLE-08: 0.5A

Housing: Anodised Aluminium

Finish: Anodised or PTFE Coating

Supplied Cable: 3m 2-Core 0.75mm A05RN-F Rubber

Cover Lens: 5mm Toughened Glass

Max Ambient Temperature: 40 °C

LED Lifetime: 50,000hrs L70 (LM-80)

Weight: 0.63kg

SPECIFICATION EXAMPLE:

45035100-927-10-2

LEDStar5 Soraa Light Engine Recessed, Fixed 3m Cable, High CRI, Incandescent White 2700K, 10° Beam Angle, Black Finish

PRODUCT CODE EXAMPLE: 450351 0 0 - 927 - 10 - 2

Cable Type	Fixed Cable	IP68 Connector + Moulded Cable	IP68 Connector + Field Wireable Socket		
Code	0	1	2		
Light Engine Module			SLE16-06*	SLE16-08	
Code			0	1	
CRI	MODULE COLOUR	MAX DRIVER CURRENT	Code	LUMEN OUTPUT	
95+	2700K	300mA	927	475lm	791lm
		500mA			
	3000K	300mA	930	500lm	830lm
		500mA			
	4000K	300mA	940	525lm	872lm
		500mA			
80+	2700K	300mA	827	570lm	950lm
		500mA			
	3000K	300mA	830	605lm	1007lm
		500mA			
BEAM		10°*	15°*	25°	36°
Code		10	15	25	36

Beams can be tilted 20° with optional tilt diffuser.
10° and 15° Beams can be shaped with snap on accessories

FINISH	PTFE White RAL 9016	PTFE Black RAL 9011	Special RAL/BS	Black Anodised	Hard Anodised	Bronze Anodised	Silver Anodised
Code	1	2	3	2A	5	5C	9

TYPICAL SPOTLIGHT LED POWER

Light Engine Module	SLE-06	SLE-08
Power	8.3W	13.9W
Forward Voltage	27.7V	27.7V

*10° and 15° beam angles has Soraa snap-on accessory functionality

DRIVER

42174-300-20

1-20W 300mA 1-10V dimmable LED Driver in IP65 Box

MAX: 1x LEDStar5 SLE-06 1x LEDStar5 SLE-08

42174-500-20

1-20W 500mA 1-10V dimmable LED Driver in IP65 Box

MAX: 1x LEDStar5 SLE-08

See LEDStar Driver Sheet for full Driver offerings.

ACCESSORIES

- Mount Tube 450122-4
- 20° Tilt Diffuser 247-1761-20T
- LED Cable Connector (IP67) 450041-0
- Honeycomb Louvre 247-1221-2
- Coloured Glass 247-1210-xxx
- 'C' Spring 247-1206
- Soraa Snap-on 60° Beam Spreader 206-122
- Soraa Snap-on 10°x 36° Linear Spreader 206-124
- Soraa Snap-on Square Spreader 25° x 25° 206-125
- Soraa Snap-on CCT Shifter 1/4 CTO 206-127
- Soraa Snap-on Louvre 206-130

Other Soraa Snap-on accessories available. Please see accessories specification sheets for full listings.

FACTORY FITTED OPTIONS

- LED factory fitted extension cable 450043(m)
m = Cable Length 5/10/20m

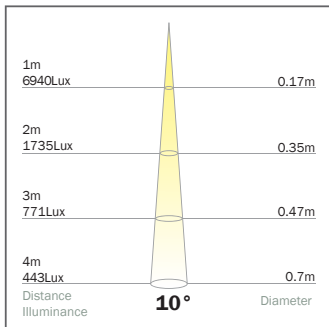
The performance of high power LEDs is continually developing. Light Projects offers the best performance LEDs available. Enquire for currently available lumen packages.

Light Projects is a division of the Light Projects Group of companies, London. **Product Improvements** In pursuance of the Light Projects Group policy of continuing product improvement, the products and product specifications included in this publication are liable to be modified without notice. **Trademarks** Unless otherwise indicated, the trademarks and tradenames in this publication are registered, or unregistered, industrial property rights of Light Projects Limited. **Patents** The fitting in this publication may be covered by Patents, Patent Applications and/or Design Registrations. Designed to conform to BS EN 60598. This specification sheet supersedes all previous. Please notify Light Projects Limited of any inaccuracies immed

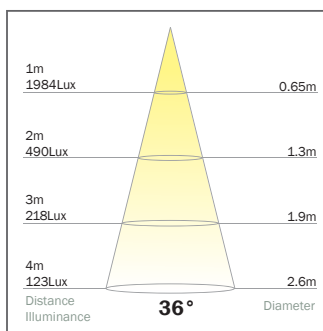
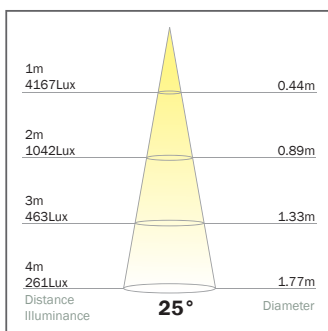
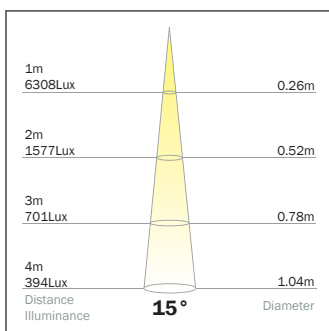
Specification Sheet 45035100

Issue Date: 24th May 2016

SORAA SLE16-06 LIGHT ENGINE BEAM DIAGRAMS



SORAA SLE16-08 LIGHT ENGINE BEAM DIAGRAMS



Data for beam diagrams are based on 95+CRI 2700K

SORAA CQS COLOUR ACCURACY

Colour	95+ CRI	80+ CRI
2700K	 Rf: 90, Rg: 100, Rfh1: 95	 Rf: 85, Rg: 92, Rfh1: 77
3000K	 Rf: 90, Rg: 100, Rfh1: 95	 Rf: 85, Rg: 92, Rfh1: 77
4000K	 Rf: 90, Rg: 100, Rfh1: 95	

SORAA SNAP SYSTEM

- 25° Beam Spreader Snap 206-120
- 36° Beam Spreader Snap 206-121
- 60° Beam Spreader Snap 206-122
- 10° x 25° Linear Spreader Snap 206-123
- 10° x 36° Linear Spreader Snap 206-124
- 25° x 25° Linear Spreader Snap 206-125
- 36° x 36° Linear Spreader Snap 206-126
- CCT Shifter Snap - 1/4 CTO 206-127
- CCT Shifter Snap - 1/2 CTO 206-128
- CCT Shifter Snap - 3/4 CTO 206-129
- Honeycomb Louvre Snap 206-130
- Aimable Snap 206-151
- Clear Snap 206-152

Original CCT	Snap System - CCT Shift Values		
	1/4 CTO	1/2 CTO	3/4 CTO
2700K	2450K	2200K	2000K
3000K	2700K	2400K	2200K
4000K	3500K	3000K	2700K
5000K	4250K	3550K	3125K

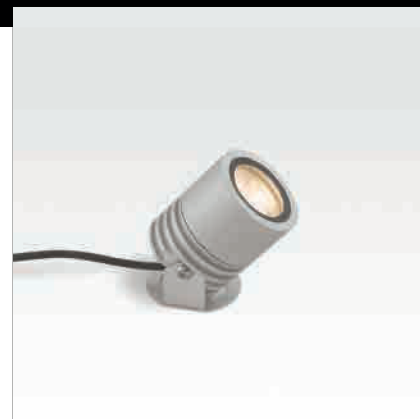
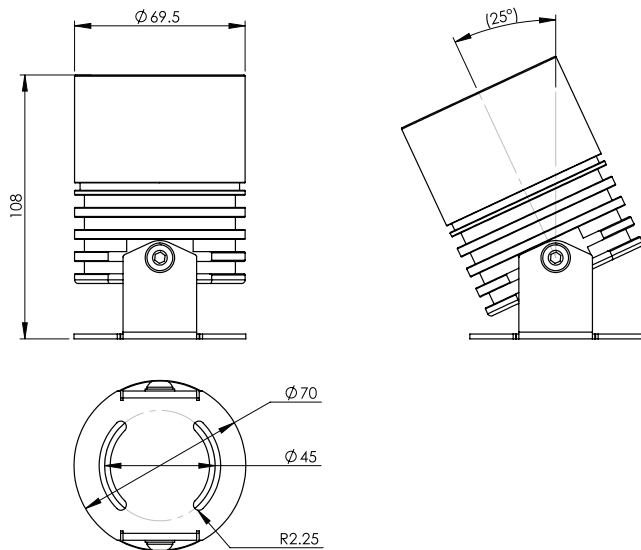
Rf: TM-30 metric measuring color fidelity (whether colors are similar to those under natural light). Rf is a more accurate version of the CRI Ra. Rf is 100 for natural light.
 Rg: TM-30 metric measuring color gamut (whether colors are more saturated than under natural light). Rg is 100 for natural light.
 Rfh1: TM-30 metric measuring color fidelity for red tones. Rfh1 is a more accurate version of the CRI R9. Rfh1 is 100 for natural light.
 Rw: Soraa-developed metric to measure white fidelity. Rw measures the magnitude of excitation of whitening agents within whites. Rw is about 100 for natural light.

Light Projects is a division of the Light Projects Group of companies, London. **Product Improvements** In pursuance of the Light Projects Group policy of continuing product improvement, the products and product specifications included in this publication are liable to be modified without notice. **Trademarks** Unless otherwise indicated, the trademarks and tradenames in this publication are registered, or unregistered, industrial property rights of Light Projects Limited. **Patents** Designed to conform to BS EN 60598. This specification sheet supersedes all previous. Please notify Light Projects Limited of any inaccuracies immed

Specification Sheet 45035200

Issue Date: 11th October 2016

In Association With
SORAA



LEDStar5 Window Reveal

Exterior/Interior LED Window Reveal Light

IP67 Class 3    

TECHNICAL DETAILS

Light Source: Soraa Light Engine SLE16-06/SLE16-08
Supply Current: SLE16-06: 0.3A SLE16-08: 0.5A
Housing: Anodised Aluminium
Finish: Anodised or PTFE Coating
Supplied Cable: 3m 2-Core 0.75mm A05RN-F Rubber
Cover Lens: 5mm Toughened Glass
Max Ambient Temperature: 40 °C
LED Lifetime: 50,000hrs L70 (LM-80)
Weight: 0.63kg

DRIVER

- **42174-300-20**
1-20W 300mA 1-10V dimmable LED Driver in IP65 Box
MAX: 1x LEDStar5 SLE-06 1x LEDStar5 SLE-08
- **42174-500-20**
1-20W 500mA 1-10V dimmable LED Driver in IP65 Box
MAX: 1x LEDStar5 SLE-08

See LEDStar Driver Sheet for full Driver offerings.

ACCESSORIES

- Window Reveal Half Tube Cowl 247-0527-f
- 20° Tilt Diffuser 247-1761-20T
- Honeycomb Louvre 247-1221-2
- Coloured Glass 247-1210-xxx
- 'C' Spring 247-1206
- Soraa Snap-on 60° Beam Spreader 206-122
- Soraa Snap-on 10° x 36° Linear Spreader 206-124
- Soraa Snap-on Square Spreader 25° x 25° 206-125
- Soraa Snap-on CCT Shifter 1/4 CTO 206-127
- Soraa Snap-on Louvre 206-130

Other Soraa Snap-on accessories available. Please see accessories specification sheets for full listings.

FACTORY FITTED OPTIONS

- LED factory fitted extension cable 450043(m)

m = Cable Length 5/10/20m
f = Finish code to match housing material

The performance of high power LEDs is continually developing. Light Projects offers the best performance LEDs available. Enquire for currently available lumen packages.

SPECIFICATION EXAMPLE:

45035200-927-10-2

LEDStar5 Soraa Light Engine Window Reveal, Fixed 3m Cable, High CRI, Incandescent White 2700K, 10° Beam Angle, Black Finish

PRODUCT CODE EXAMPLE: 450352 0 0 - 927 - 10 - 2

Light Engine Module				SLE16-06*	SLE16-08		
Code				0	1		
CRI	MODULE COLOUR	MAX DRIVER CURRENT	Code	LUMEN OUTPUT			
95+	2700K	300mA	927	475lm			
		500mA			791lm		
	3000K	300mA	930	500lm			
		500mA			830lm		
80+	2700K	300mA	827	570lm			
		500mA			950lm		
	3000K	300mA	830	605lm			
		500mA			1007lm		
BEAM				10°*	15°*	25°	36°
Code				10	15	25	36

Beams can be tilted 20° with optional tilt diffuser.
10° and 15° Beams can be shaped with snap on accessories

FINISH	PTFE White RAL 9016	PTFE Black RAL 9011	Special RAL/BS	Black Anodised	Hard Anodised	Bronze Anodised	Silver Anodised
Code	1	2	3	2A	5	5C	9

TYPICAL SPOTLIGHT LED POWER

Light Engine Module	SLE16-06	SLE16-08
Power	8.3W	13.9W
Forward Voltage	27.7V	27.7V

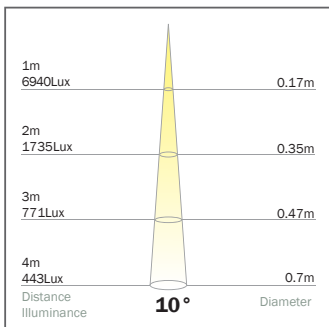
*10° and 15° beam angles has Soraa snap-on accessory functionality

Light Projects is a division of the Light Projects Group of companies, London. **Product Improvements** In pursuance of the Light Projects Group policy of continuing product improvement, the products and product specifications included in this publication are liable to be modified without notice. **Trademarks** Unless otherwise indicated, the trademarks and tradenames in this publication are registered, or unregistered, industrial property rights of Light Projects Limited. **Patents** The fitting in this publication may be covered by Patents, Patent Applications and/or Design Registrations. Designed to conform to BS EN 60598. This specification sheet supersedes all previous. Please notify Light Projects Limited of any inaccuracies immediately. E&OE.

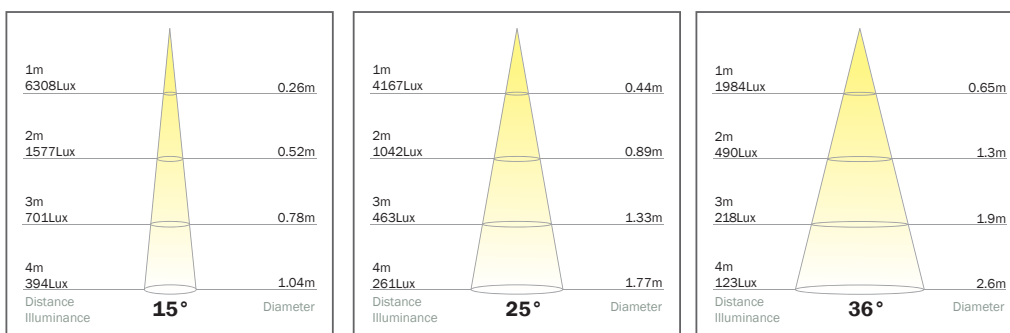
Specification Sheet 45035200

Issue Date: 11th October 2016

SORAA SLE16-06 LIGHT ENGINE BEAM DIAGRAMS



SORAA SLE16-08 LIGHT ENGINE BEAM DIAGRAMS



Data for beam diagrams are based on 95+CRI 2700K

SORAA TM30 COLOUR ACCURACY

Colour	95+ CRI	80+ CRI
2700K	 Rf: 90, Rg: 100, Rfh1: 95	 Rf: 85, Rg: 92, Rfh1: 77
3000K	 Rf: 90, Rg: 100, Rfh1: 95	 Rf: 85, Rg: 92, Rfh1: 77
4000K	 Rf: 90, Rg: 100, Rfh1: 95	

Rf: TM-30 metric measuring color fidelity (whether colors are similar to those under natural light). Rf is a more accurate version of the CRI Ra. Rf is 100 for natural light.
Rg: TM-30 metric measuring color gamut (whether colors are more saturated than under natural light). Rg is 100 for natural light.
Rfh1: TM-30 metric measuring color fidelity for red tones. Rfh1 is a more accurate version of the CRI R9. Rfh1 is 100 for natural light.
Rw: Soraa-developed metric to measure white fidelity. Rw measures the magnitude of excitation of whitening agents within whites. Rw is about 100 for natural light.

SORAA SNAP SYSTEM

- 25° Beam Spreader Snap 206-120
- 36° Beam Spreader Snap 206-121
- 60° Beam Spreader Snap 206-122
- 10° x 25° Linear Spreader Snap 206-123
- 10° x 36° Linear Spreader Snap 206-124
- 25° x 25° Linear Spreader Snap 206-125
- 36° x 36° Linear Spreader Snap 206-126
- CCT Shifter Snap - 1/4 CTO 206-127
- CCT Shifter Snap - 1/2 CTO 206-128
- CCT Shifter Snap - 3/4 CTO 206-129
- Honeycomb Louvre Snap 206-130
- Aimable Snap 206-151
- Clear Snap 206-152

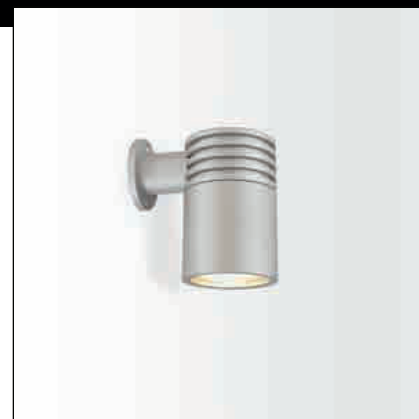
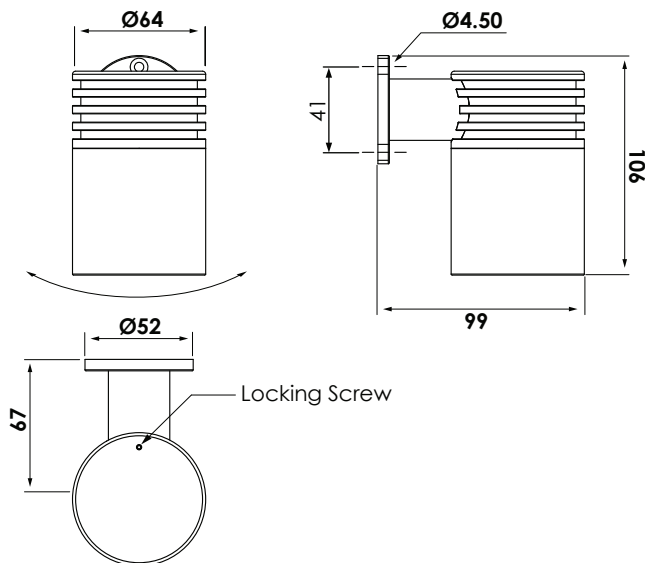
Original CCT	Snap System - CCT Shift Values		
	1/4 CTO	1/2 CTO	3/4 CTO
2700K	2450K	2200K	2000K
3000K	2700K	2400K	2200K
4000K	3500K	3000K	2700K
5000K	4250K	3550K	3125K

Light Projects is a division of the Light Projects Group of companies, London. **Product Improvements** In pursuance of the Light Projects Group policy of continuing product improvement, the products and product specifications included in this publication are liable to be modified without notice. **Trademarks** Unless otherwise indicated, the trademarks and tradenames in this publication are registered, or unregistered, industrial property rights of Light Projects Limited. **Patents** Designed to conform to BS EN 60598. This specification sheet supersedes all previous. Please notify Light Projects Limited of any inaccuracies immed

Specification Sheet 45035300

Issue Date: 11th October 2016

In Association With
SORAA



LEDStar5 Wall
Exterior/Interior LED Wall Light

IP67 Class 3    

TECHNICAL DETAILS

Light Source: Soraa Light Engine SLE16-06/SLE16-08
Supply Current: SLE16-06: 0.3A SLE16-08: 0.5A
Housing: Anodised Aluminium
Finish: Anodised or PTFE Coating
Supplied Cable: 3m 2-Core 0.75mm A05RN-F Rubber
Cover Lens: 5mm Toughened Glass
Max Ambient Temperature: 40 °C
LED Lifetime: 50,000hrs L70 (LM-80)
Weight: 0.63kg

DRIVER

- **42174-300-20**
1-20W 300mA 1-10V dimmable LED Driver in IP65 Box
MAX: 1x LEDStar5 SLE-06 1x LEDStar5 SLE-08
- **42174-500-20**
1-20W 500mA 1-10V dimmable LED Driver in IP65 Box
MAX: 1x LEDStar5 SLE-08

See LEDStar Driver Sheet for full Driver offerings.

ACCESSORIES

- Half Tube Cowl 450132-f
- FullTube Cowl 450134-f
- 20° Tilt Diffuser 247-1761-20T
- Honeycomb Louvre 247-1221-2
- Coloured Glass 247-1210-xxx
- Ribbed Spread Lens 247-1211
- 'C' Spring 247-1206
- Soraa Snap-on 60° Beam Spreader 206-122
- Soraa Snap-on 10°x 36° Linear Spreader 206-124
- Soraa Snap-on Square Spreader 25° x 25° 206-125
- Soraa Snap-on CCT Shifter 1/4 CTO 206-127
- Soraa Snap-on Louvre 206-130

Other Soraa Snap-on accessories available. Please see accessories specification sheets for full listings.

FACTORY FITTED OPTIONS

- LED factory fitted extension cable 450043(m)
- m = Cable Length 5/10/20m
- f = Finish code to match housing material

The performance of high power LEDs is continually developing. Light Projects offers the best performance LEDs available. Enquire for currently available lumen packages.

SPECIFICATION EXAMPLE:

45035300-927-10-2

LEDStar5 Soraa Light Engine Wall, Fixed 3m Cable, High CRI, Incandescent White 2700K, 10° Beam Angle, Black Finish

PRODUCT CODE EXAMPLE: 450353 0 0 - 927 - 10 - 2

Light Engine Module				SLE16-06*	SLE16-08		
Code				0	1		
CRI	MODULE COLOUR	MAX DRIVER CURRENT	Code	LUMEN OUTPUT			
95+	2700K	300mA	927	475lm			
		500mA			791lm		
	3000K	300mA	930	500lm			
		500mA			830lm		
	4000K	300mA	940	525lm			
		500mA			872lm		
80+	2700K	300mA	827	570lm			
		500mA			950lm		
	3000K	300mA	830	605lm			
		500mA			1007lm		
BEAM				10°*	15°*	25°	36°
Code				10	15	25	36

Beams can be tilted 20° with optional tilt diffuser.
10° and 15° Beams can be shaped with snap on accessories

FINISH	PTFE White RAL 9016	PTFE Black RAL 9011	Special RAL/BS	Black Anodised	Hard Anodised	Bronze Anodised	Silver Anodised
Code	1	2	3	2A	5	5C	9

TYPICAL SPOTLIGHT LED POWER

Light Engine Module	SLE16-06	SLE16-08
Power	8.3W	13.9W
Forward Voltage	27.7V	27.7V

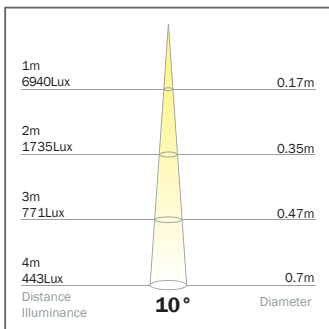
*10° and 15° beam angles has Soraa snap-on accessory functionality

Light Projects is a division of the Light Projects Group of companies, London. **Product Improvements** In pursuance of the Light Projects Group policy of continuing product improvement, the products and product specifications included in this publication are liable to be modified without notice. **Trademarks** Unless otherwise indicated, the trademarks and tradenames in this publication are registered, or unregistered, industrial property rights of Light Projects Limited. **Patents** The fitting in this publication may be covered by Patents, Patent Applications and/or Design Registrations. Designed to conform to BS EN 60598. This specification sheet supersedes all previous. Please notify Light Projects Limited of any inaccuracies immediately. E&OE.

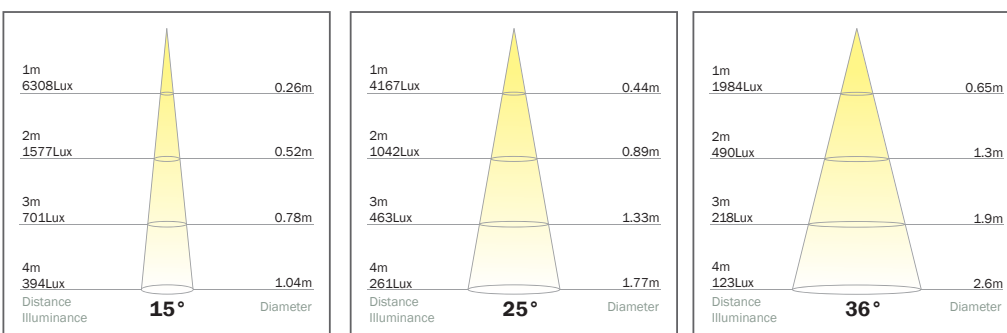
Specification Sheet 45035300

Issue Date: 11th October 2016

SORAA SLE16-06 LIGHT ENGINE BEAM DIAGRAMS



SORAA SLE16-08 LIGHT ENGINE BEAM DIAGRAMS



Data for beam diagrams are based on 95+CRI 2700K

SORAA TM30 COLOUR ACCURACY

Colour	95+ CRI	80+ CRI
2700K	 Rf: 90, Rg: 100, Rfh1: 95	 Rf: 85, Rg: 92, Rfh1: 77
3000K	 Rf: 90, Rg: 100, Rfh1: 95	 Rf: 85, Rg: 92, Rfh1: 77
4000K	 Rf: 90, Rg: 100, Rfh1: 95	

Rf: TM-30 metric measuring color fidelity (whether colors are similar to those under natural light). Rf is a more accurate version of the CRI Ra. Rf is 100 for natural light.
Rg: TM-30 metric measuring color gamut (whether colors are more saturated than under natural light). Rg is 100 for natural light.
Rfh1: TM-30 metric measuring color fidelity for red tones. Rfh1 is a more accurate version of the CRI R9. Rfh1 is 100 for natural light.
Rw: Soraa-developed metric to measure white fidelity. Rw measures the magnitude of excitation of whitening agents within whites. Rw is about 100 for natural light.

SORAA SNAP SYSTEM

- 25° Beam Spreader Snap 206-120
- 36° Beam Spreader Snap 206-121
- 60° Beam Spreader Snap 206-122
- 10° x 25° Linear Spreader Snap 206-123
- 10° x 36° Linear Spreader Snap 206-124
- 25° x 25° Linear Spreader Snap 206-125
- 36° x 36° Linear Spreader Snap 206-126
- CCT Shifter Snap - 1/4 CTO 206-127
- CCT Shifter Snap - 1/2 CTO 206-128
- CCT Shifter Snap - 3/4 CTO 206-129
- Honeycomb Louvre Snap 206-130
- Aimable Snap 206-151
- Clear Snap 206-152

Original CCT	Snap System - CCT Shift Values		
	1/4 CTO	1/2 CTO	3/4 CTO
2700K	2450K	2200K	2000K
3000K	2700K	2400K	2200K
4000K	3500K	3000K	2700K
5000K	4250K	3550K	3125K

Light Projects is a division of the Light Projects Group of companies, London. **Product Improvements** In pursuance of the Light Projects Group policy of continuing product improvement, the products and product specifications included in this publication are liable to be modified without notice. **Trademarks** Unless otherwise indicated, the trademarks and tradenames in this publication are registered, or unregistered, industrial property rights of Light Projects Limited. **Patents** Designed to conform to BS EN 60598. This specification sheet supersedes all previous. Please notify Light Projects Limited of any inaccuracies immed

Accessories Sheet 247-1700 Page 1

Issue Date: October 2015



Half Tube Cowl

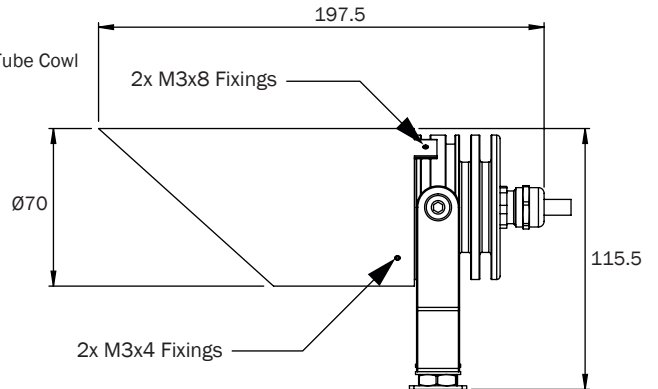
Description: LEDStar3 Spotlight Half Tube Cowl

Part Number: 450132-f

f = Finish (See finish table)

Material: Anodised Aluminium

Supplied with fixing screws.



Full Tube Cowl

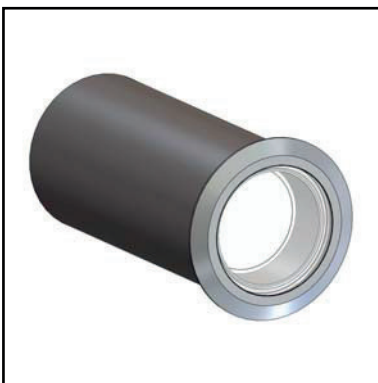
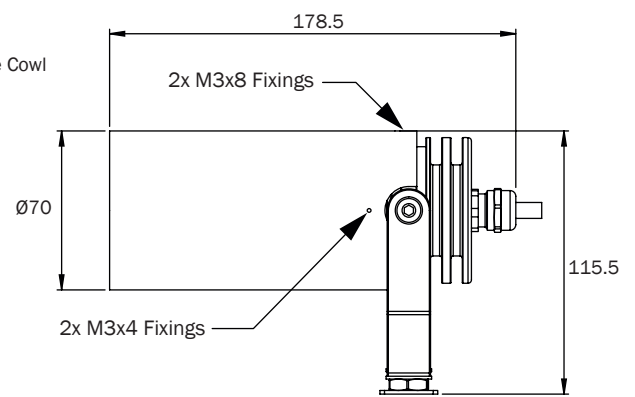
Description: LEDStar3 Spotlight Full Tube Cowl

Part Number: 450134-f

f = Finish (See finish table)

Material: Anodised Aluminium

Supplied with fixing screws.



Mount Tube

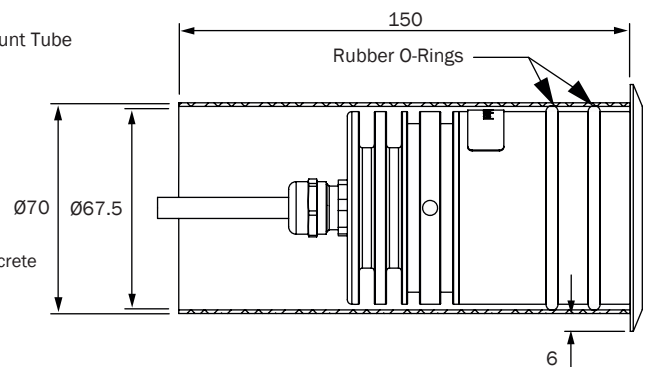
Description: LEDStar3 Recessed Mount Tube

Part Number: 450122-4

Material: Stainless Steel

Fittings supplied assembled with Rubber O-Rings on Front Cap which grip and hold fitting within the Mount Tube.

Recommended use for casting into concrete and in soft materials.



FINISH	PTFE White RAL 9010	PTFE Black RAL 9011	RAL/BS	Black Anodised	Hard Anodised	Bronze Anodised	Satin Silver Anodised
Code	1	2	3	2A	5	5C	9

Light Projects is a division of the Light Projects Group of companies, London. **Product Improvements** In pursuance of the Light Projects Group policy of continuing product improvement, the products and product specifications included in this publication are liable to be modified without notice. **Trademarks** Unless otherwise indicated, the trademarks and tradenames in this publication are registered, or unregistered, industrial property rights of Light Projects Limited. **Patents** The fitting in this publication may be covered by Patents, Patent Applications and/or Design Registrations. Designed to conform to BS EN 60598. This specification sheet supersedes all previous. Please notify Light Projects Limited of any inaccuracies immediately. E&OE.

Accessories Sheet 247-1700 Page 2

Issue Date: October 2015



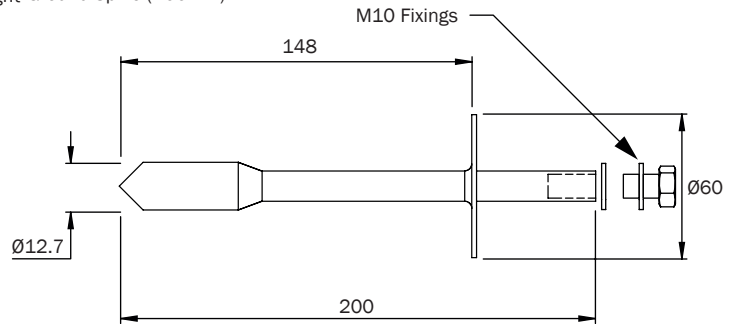
Ground Spike

Description: LEDStar3 Spotlight Ground Spike (200mm)

Part Number: 247-0141-f
f = Finish (See finish table)

Material: Stainless Steel

Supplied with bolt and fixings.



Cable Connector

Description: LEDStar3 Cable Connector IP67

Part Number: 450041-0

Connector Material: Black Nylon

Cable Capacity : Ø4.5 - 8mm



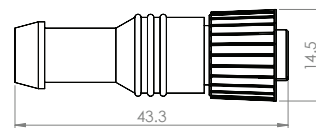
Removable Cable Assembly 3m

Description: Removable cable assembly with M16 IP68 connector and 3m cable. Supplied with dust cap

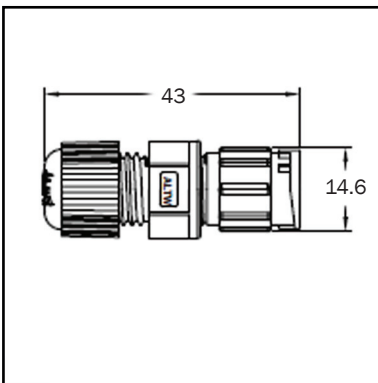
Part Number: 450044-(3)

Connector Material: Black Nylon

Cable: Over moulded cable 2x0.75mm² A05RN-F



Custom Cable Length available on request



Field Wireable IP68 Connector

Description: Field installable M16 IP68 connector, supplied with dust cap

- To suit 2 core cable Ø4.5mm - Ø6.5mm.

- Solder pins for 0.75mm²

Part Number: 450045-0



Dust Cap

Light Projects is a division of the Light Projects Group of companies, London. **Product Improvements** In pursuance of the Light Projects Group policy of continuing product improvement, the products and product specifications included in this publication are liable to be modified without notice. **Trademarks** Unless otherwise indicated, the trademarks and tradenames in this publication are registered, or unregistered, industrial property rights of Light Projects Limited. **Patents** The fitting in this publication may be covered by Patents, Patent Applications and/or Design Registrations. Designed to conform to BS EN 60598. This specification sheet supersedes all previous. Please notify Light Projects Limited of any inaccuracies immediately. E&OE.

Accessories Sheet 247-1700 Page 3

Issue Date: October 2015



Optic Diffuser Clip

Description: Clip with optic diffuser that can be easily interchanged to create various beam angles. Comes in the following angles: 10°, 30°, 80° and 20° Tilt

Part Number: 10° Diffuser + Clip on Holder	247-1760-10
30° Diffuser + Clip on Holder	247-1760-30
80° Diffuser + Clip on Holder	247-1760-80
20°/20° Tilt Diffuser + Clip on Holder	247-1760-20T

For optimum performance fit 80° & 20°/20° tilt diffuser in front of cap & secure with 'C' spring.

80° Diffuser for front cap	247-1761-80
20°/20° Tilt Diffuser for front cap	247-1761-20T
'C' Spring	247-1206